



**FLATLAND POWER
PRODUCTS**

DIV OF FLATLAND POWER GROUP LTD

QUALITY-SERVICE FROM THE GROUND UP



www.flatlandpowerproducts.com

1-888-988-1324

**Hydraulic Cylinder & Machinery Part Provider
Customized Solutions**

About Our Company



Flatland Power Group Ltd is committed in providing a trusted sustainability partnership which creates value, single-sourced, efficient solutions delivered with passion, expertise, teamwork and a relentless focus on customer satisfaction.

Flatland Power Group Ltd is providing business with a network of products and services to assist business to business operations with supply and services.

Flatland Power Products has high quality manufactured equipment supplies for manufacturing, mining, forestry, Oil & Gas, agricultural, mechanical industry, technology and more.

ABOUT US

Flatland Power Products has sourced out quality suppliers & parts which include hydraulic cylinders, hydraulic components, excavator attachment, with certification approval to meet custom or OEM requirement.

The goal of Flatland Power Products (FPP) is to provide our customers cost effective product quality assurance. Flatland Power Products team listens to what customers need and strives to research the best products required for the different industries such as, industrial, oil & gas, construction, mining, metallurgy, waste management, forestry, agriculture, equipment, maintenance, and more.

With our Sales Teams experience of over 25 years, FPP's goal is to provide the end-users with reliable high-quality products, which will save costs and maximize benefits.

Flatland Power Products team works with our customers to provide the best customer service and the quality products they can rely on.

Flatland Power Products are sourced internationally. We source quality products that are widely recognized by customers, so they feel confident they are getting the best quality for the best price that will not break the bank.

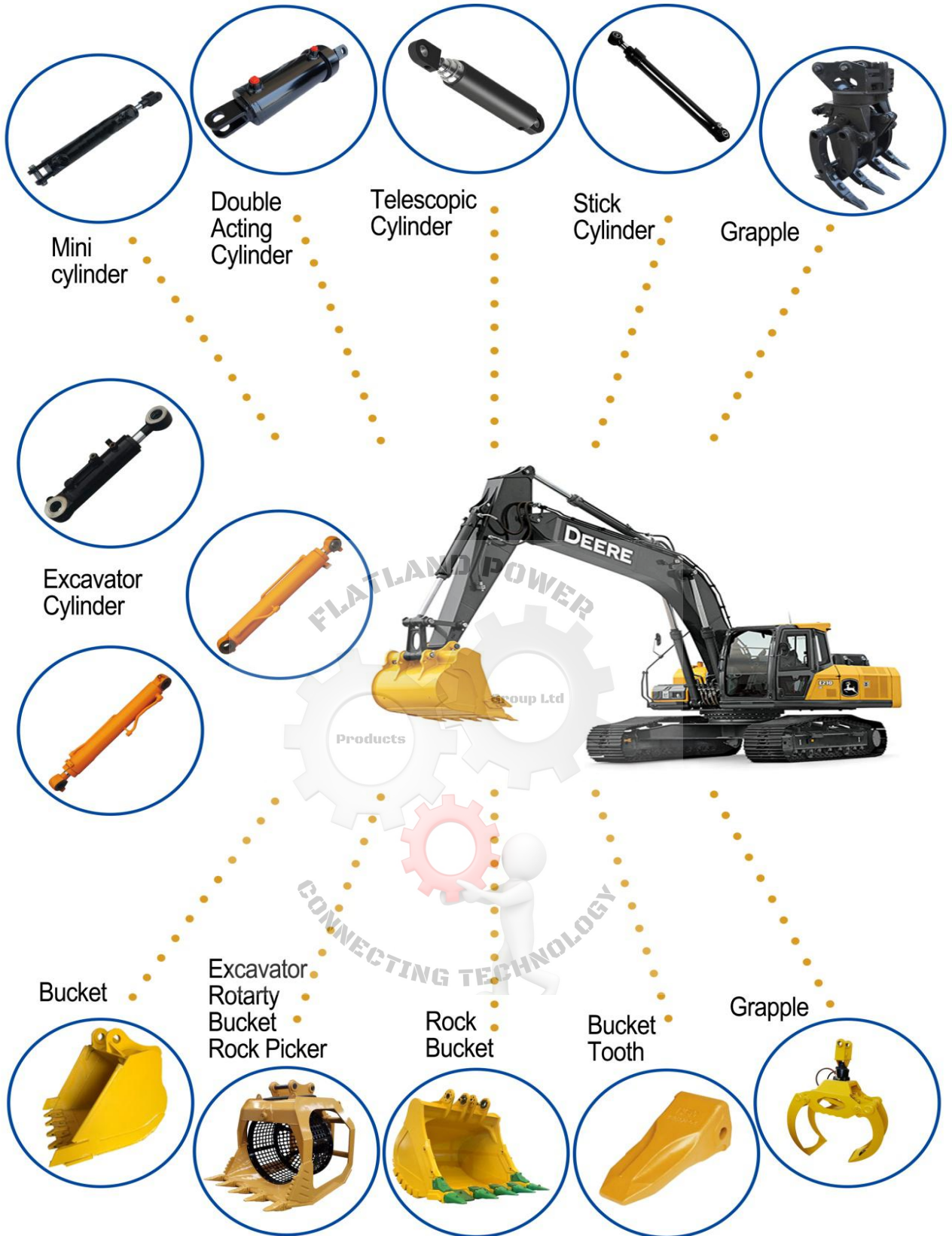
Our focus is to source long-term and stable partnership with our suppliers that will not cripple your bottom line. Our team stands behind the products we provide and we also develop relationships with our customers to instill confidence in our customer service that you can rely on.

Flatland Power Products will continue to source products and opportunities for our customers as they need.



**For Sales Contact 1-888-988-1324
www.flatlandpowerproducts.com
Email: ops@flatlandpower.com**

Hydraulic Cylinders and Attachments for Excavators with world-famous brands.



Redesigned Piston Assembly

Reduces air pocket at base of cylinder

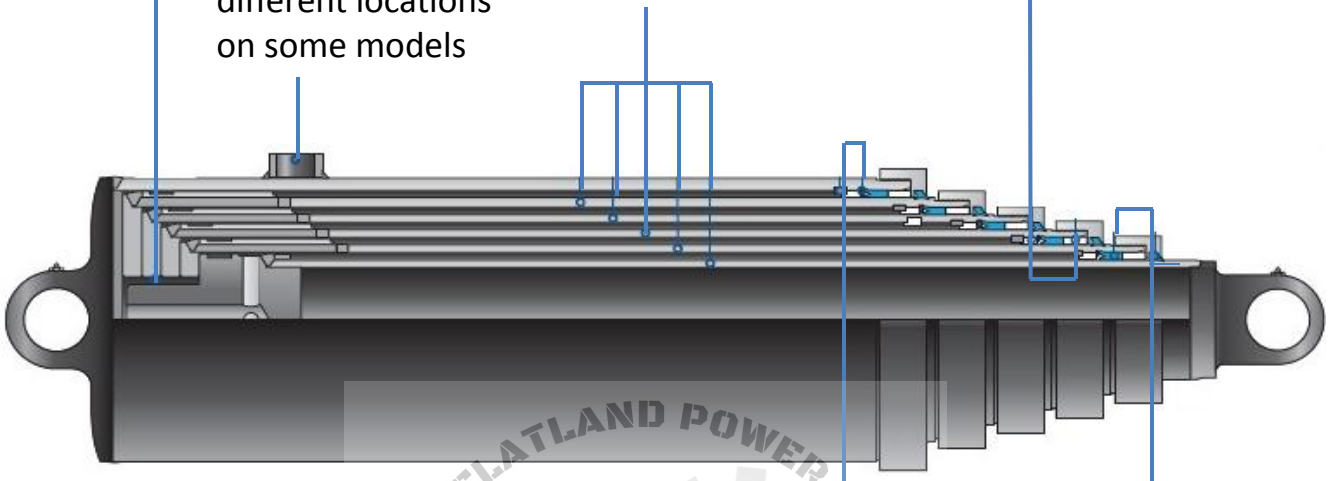
1" NPT Ports
Available in 2 different locations on some models

All Stages are Chrome Plated

Increases impact & scratch resistance, strength; lower friction, smoother operation

Dual Nylon Bearings

More bearing surface area for greater support



Bleeder-less Design

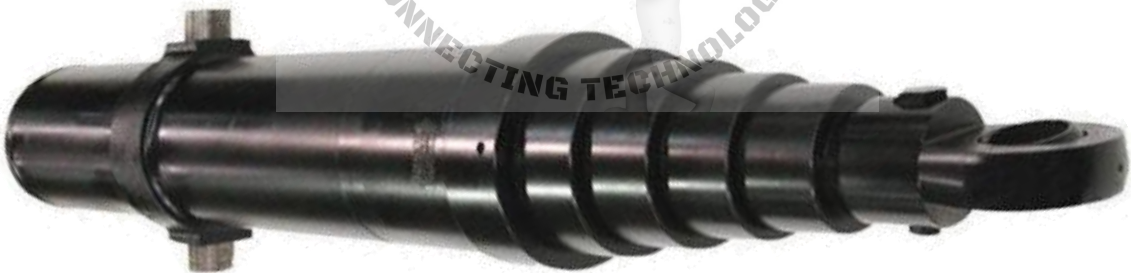
No air to bleed
(Pin mount models only)

Dual Retaining Rings

Easy-to-service design

Low Friction Dual Lip Rod Seal

No mis-staging, no seal adjustments, longer seal life than V-packing





Excavator is the most widely used piece of construction equipment. The shock load, harsh working environment, precision movement require high standards for excavator cylinders.

Our preferred supplier, ROCA, guarantees high performance excavator cylinders with abrasion resistance and operation stability in any harsh conditions. The recognition from every solid customer, that our product comes with good quality at a fair price.

Roca manufactures full-size excavator cylinders for mini excavators to large excavators.



| Excavator Cylinder | Bore Dia (mm) | Rod Dia (mm) | Stroke (mm) |
|--------------------|---------------|--------------|-------------|
| Min | 70 | 40 | 106 |
| Max | 600 | 400 | 6000 |

Name brand Mining Haul Truck

Our cylinders are mainly applied to world-famous brands such as Caterpillar, Komatsu, Hitachi, Liebherr, BELAZ, and other famous international brands.



The main products supplied:

- Front suspension assembly
- Rear suspension assembly
- Lifting cylinder assembly
- Steering cylinder assembly and accessories



Reliable, Smooth Operating and Totally Interchangeable

Single-Acting Telescopic Cylinders

One direction hydraulic pressure and return by load such as a truck-trailer. ROCA single-acting multi-stage hoists are used widely throughout the transport sector, where they are used in tip trucks for servicing agriculture, earthmoving, construction, and food processing applications.

Feature:

- Up to 8 stage assemblies
- Stainless Steel material available
- Marine grade epoxy paint and chroming available
- Up to 6000 psi—14" stroke



Reliable, Smooth Operating and Totally Interchangeable

Double –Acting Telescopic Cylinder

This type of cylinder is constructed with porting to both the annular and full bore area so hydraulic pressure can be applied to both surfaces and the cylinder stages can move in multiple directions without the need of an outside force, such as gravity.

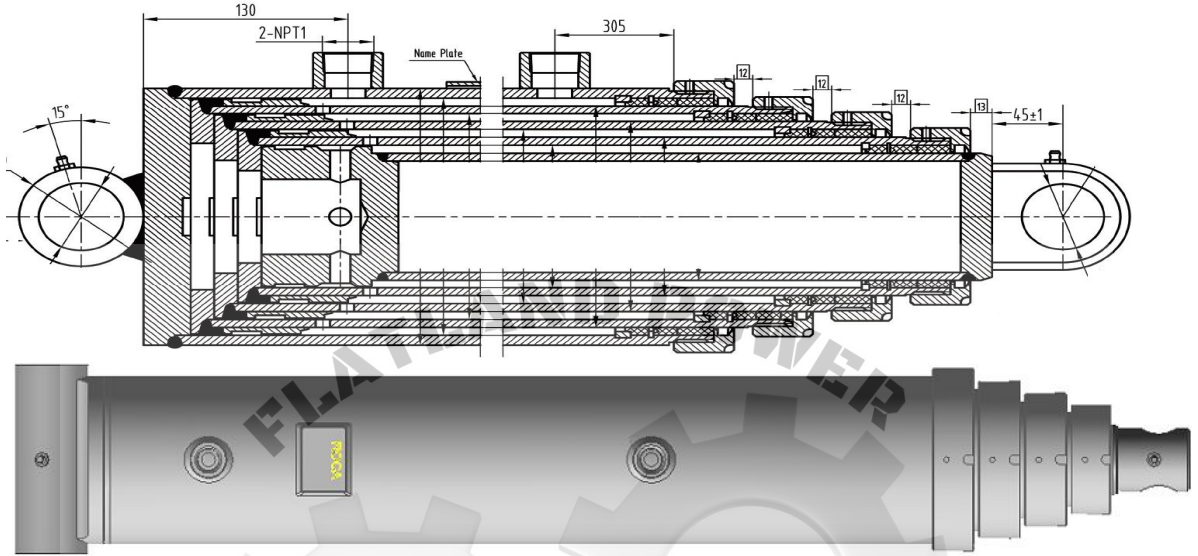
FPP's Product line has double-acting multi-stage cylinders used in a wide variety of applications across many industries where space restrictions prohibit the use of a rod cylinder and require a compact telescopic cylinder design.

Feature:

- Stainless Steel material available
- Double acting allows for both pull and push forces
- Ability to control cylinder speed in both extension and retraction
- Chrome plated & nitrided cylinder rods available for every stage
- Available in 10T to 100T capacity
- Collar threads for easy fixturing



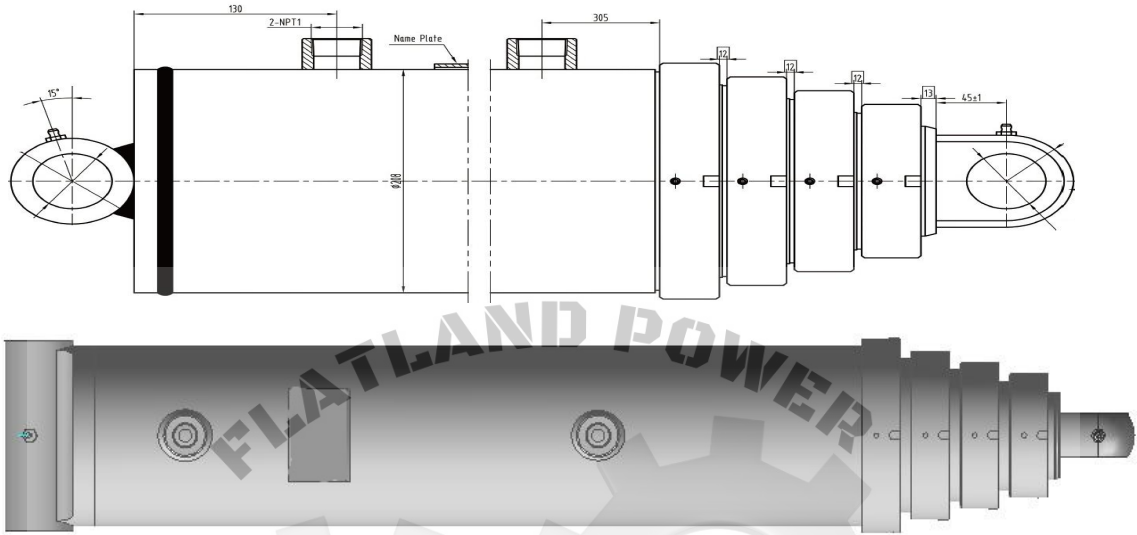
Cross Reference-Custom Hoist Type Hydraulic Cylinder



Custom Hoists Type Telescopic Cylinder

| FPP Model No. | Number of Stage | Largest Moving Stage Diameter | Stroke | Retracted Length | Extended Length |
|-------------------|-----------------|-------------------------------|--------------------|-------------------|--------------------|
| FPPXM 53-4592-84 | 3"(76.20mm) | 5"(127mm) | 84.19"(2138.43mm) | 41.12"(1044.44mm) | 125.31"(3182.87mm) |
| FPPXM63-4402-108 | 3"(76.20mm) | 6"(152.40mm) | 108.62"(2758.94mm) | 49.01"(1244.85mm) | 157.63"(4003.80mm) |
| FPPXM63-4402-120 | 3"(76.20mm) | 6"(152.40mm) | 120.39"(3057.90mm) | 52.99"(1345.94mm) | 173.38"(4403.85mm) |
| FPPXM 64-4435-135 | 4"(101.60mm) | 6"(152.40mm) | 135"(3429mm) | 47.19"(1198.62mm) | 182.19"(4627.62mm) |
| FPPXM 64-4435-156 | 4"(101.60mm) | 6"(152.40mm) | 156"(3962.40mm) | 53.62"(1361.94mm) | 209.62"(5324.34mm) |
| FPPXM 74-4401-135 | 4"(101.60mm) | 7"(178.0mm) | 135"(3429mm) | 48.43"(1230.12mm) | 183.44"(4659.37mm) |
| FPPXM 74-4401-140 | 4"(101.60mm) | 7"(178.0mm) | 140.44"(3567.17mm) | 49.75"(1263.65mm) | 189.75"(4819.65mm) |
| FPPXM 74-4401-156 | 4"(101.60mm) | 7"(178.0mm) | 156"(3962.40mm) | 53.75"(1365.25mm) | 209.75"(5327.65mm) |
| FPPXM 74-4401-161 | 4"(101.60mm) | 7"(178.0mm) | 161.75"(4108.45mm) | 55.31"(1404.87mm) | 217.06"(5513.32mm) |
| FPPXM 74-4401-167 | 4"(101.60mm) | 7"(178.0mm) | 167"(4241.80mm) | 56.38"(1432.05mm) | 223.38"(5673.85mm) |
| FPPXM 85-4402-220 | 5"(127mm) | 8"(203.20mm) | 220"(5588mm) | 60"(1524mm) | 280.44"(7123.17mm) |
| FPPXM 85-4402-235 | 5"(127mm) | 8"(203.20mm) | 234"(5943.60mm) | 64.62"(1641.34mm) | 298.44"(7580.37mm) |
| FPPXM 85-4402-250 | 5"(127mm) | 8"(203.20mm) | 248"(6299.20mm) | 68.62"(1742.94mm) | 316.44"(8037.57mm) |
| FPPXM 85-4453-265 | 5"(127mm) | 8"(203.20mm) | 265"(6731mm) | 72.62"(1844.54mm) | 337.62"(8575.54mm) |

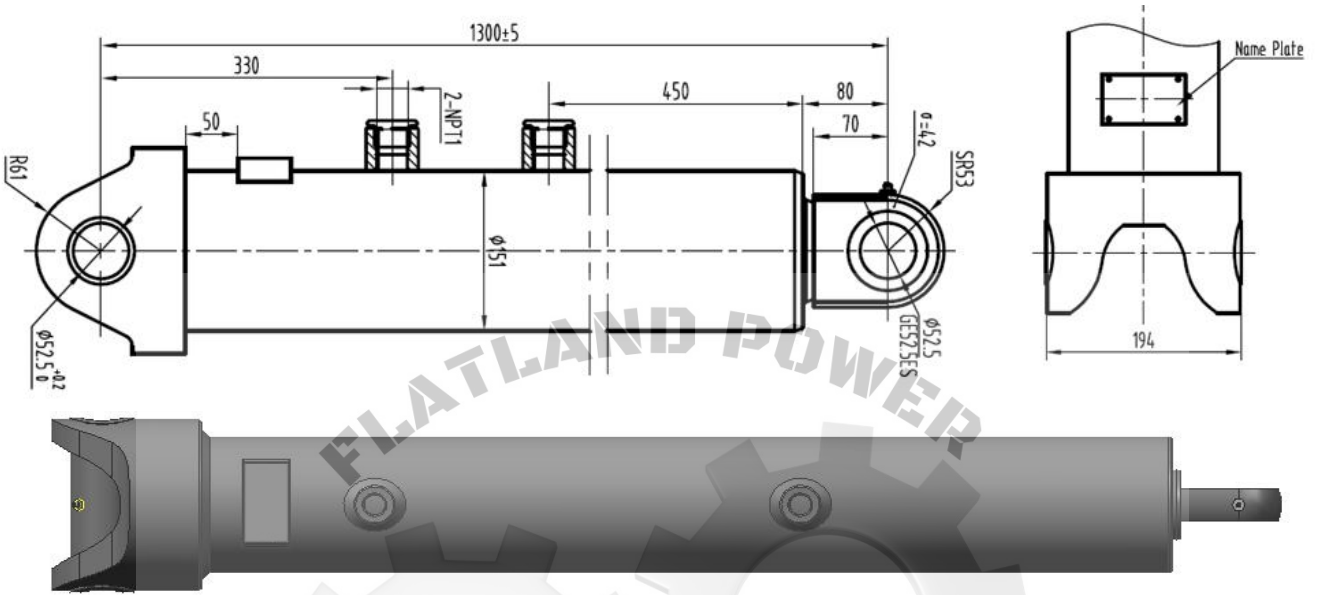
Cross Reference-Parker Hydraulic Cylinder



Parker Type Single Acting Telescopic Cylinder

| FPP Model No. | Model No. | First Stage Diameter | Stroke | Retracted Length | Extend Length |
|---------------------|------------|----------------------|------------------|------------------|------------------|
| FPPXM S53DC-66-72 | 3TG F5*72 | 5" 127 | 72"(1829mm) | 37.19" (945mm) | 109.19" (2773mm) |
| FPPXM S53DC-65-126 | 3TG F5*126 | 5" 127 | 126.63" (3216mm) | 54.56" (1386mm) | 181.19" (4602mm) |
| FPPXM S63DC-101-86 | 3TG F6*86 | 6" 152.4 | 86.75" (2203mm) | 40.88" (1038mm) | 127.63" (3241mm) |
| FPPXM S63DC-97-111 | 3TG F6*111 | 6" 152.4 | 111" (2819mm) | 49.94" (1268mm) | 160.94" (4087mm) |
| FPPXM S63DC-102-120 | 3TG F6*120 | 6" 152.4 | 120" (3048mm) | 53.5" (1359mm) | 173.5" (4407mm) |
| FPPXMS63DC-101-140 | 3TG F6*140 | 6" 152.4 | 140.25" (3562mm) | 59.81" (1519mm) | 200.06" (5081mm) |
| FPPXM S64DC-12-135 | 4TG F6*135 | 6" 152.4 | 135" (3429mm) | 47.19" (1199mm) | 182.19" (4628mm) |
| FPPXM S64DC-14-156 | 4TG F6*156 | 6" 152.4 | 156" (3962mm) | 53.62" (1362mm) | 209.62" (5324mm) |
| FPPXM S73DC-66-140 | 3TG F7*140 | 7" 177.8 | 140.44" (3567mm) | 60" (1524mm) | 200.44" (5091mm) |
| FPPXM S73DC-66-150 | 3TG F7*150 | 7" 177.8 | 150" (3810mm) | 63.50" (1613mm) | 213.50" (5423mm) |
| FPPXM S74DC-74-120 | 4TG F7*120 | 7" 177.8 | 120" (3048mm) | 44.12" (1120mm) | 164.12" (4168mm) |
| FPPXM S74DC-74-167 | 4TG F7*167 | 7" 177.8 | 167" (4242mm) | 56.38" (1432mm) | 223.38" (5674mm) |
| FPPXM S74DC-74-180 | 4TG F7*180 | 7" 177.8 | 180" (4572mm) | 61.12" (1552mm) | 241.12" (6124mm) |
| FPPXM S84DC-66-148 | 4TG F8*148 | 8" 203.2 | 147.75" (3753mm) | 51.50" (1308mm) | 199.25" (5061mm) |
| FPPXM S84DC-66-156 | 4TG F8*156 | 8" 203.2 | 156" (3962mm) | 53.75" (1365mm) | 209.75" (5327mm) |
| FPPXM S85DC-66-250 | 5TG F8*250 | 8" 203.2 | 249" (6325mm) | 68.62" (1743mm) | 317.62" (8068mm) |
| FPPXM S85DC-66-265 | 5TG F8*265 | 8" 203.2 | 265" (6731mm) | 71" (1803mm) | 336" (8534mm) |
| FPPXM S95DC-52-320 | 5TG F9*320 | 9" 228.6 | 320" (8128mm) | 83" (2108mm) | 403" (9628mm) |
| FPPXM S95DC-52-340 | 5TG F9*340 | 9" 228.6 | 340" (8636mm) | 87" (2210mm) | 427" (10846mm) |

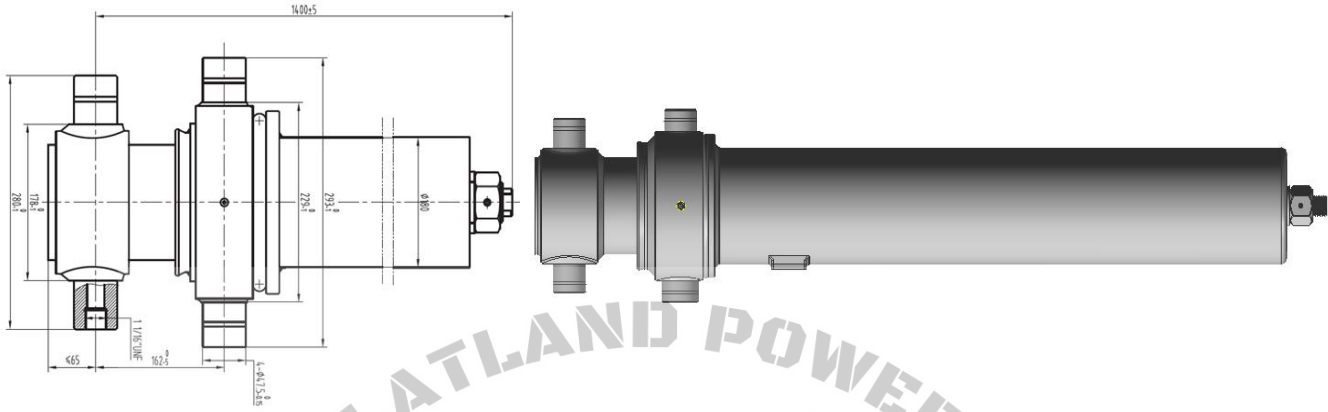
Cross Reference-Hyva Hydraulic Cylinder



Hyva FEE Series Telescopic Cylinder

| FPP Model No. | Number of Stage | First Stage Diameter | Stroke | Retracted Length | Extend Length |
|-------------------|-----------------|----------------------|-----------------|------------------|-----------------|
| FPPXM FEE-6-3-110 | 3"(76.20mm) | 5.07"(129mm) | 110"(2794mm) | 51.18"(1300mm) | 161.18"(4094mm) |
| FPPXM FEE-6-3-119 | 3"(76.20mm) | 5.07"(129mm) | 118.89"(3020mm) | 54.13"(1375mm) | 173.03"(4395mm) |
| FPPXM FEE-6-3-134 | 3"(76.20mm) | 5.07"(129mm) | 134.01"(3404mm) | 60.43"(1535mm) | 194.44"(4939mm) |
| FPPXM FEE-7-4-135 | 4"(101.6mm) | 5.86"(149mm) | 135"(3429mm) | 48.22"(1225mm) | 183.22"(4654mm) |
| FPPXM FEE-7-4-146 | 4"(101.6mm) | 5.86"(149mm) | 145.98"(3708mm) | 51.18"(1300mm) | 197.16"(5008mm) |
| FPPXM FEE-7-4-158 | 4"(101.6mm) | 5.86"(149mm) | 157.99"(4013mm) | 54.13"(1375mm) | 212.12"(5388mm) |
| FPPXM FEE-7-4-170 | 4"(101.6mm) | 5.86"(149mm) | 170"(4318mm) | 57.08"(1450mm) | 227.08"(5768mm) |
| FPPXM FEE-8-5-169 | 5"(127mm) | 7.51"(191mm) | 169.01"(4293mm) | 50.23"(1276mm) | 219.25"(5569mm) |
| FPPXM FEE-8-5-190 | 5"(127mm) | 7.51"(191mm) | 190"(4826mm) | 54.92"(1395mm) | 244.92"(6221mm) |
| FPPXMFEE-8-5-213 | 5"(127mm) | 7.51"(191mm) | 212.99"(5410mm) | 57.87"(1470mm) | 270.86"(6880mm) |
| FPPXM FEE-8-5-220 | 5"(127mm) | 7.51"(191mm) | 220"(5588mm) | 60.70"(1542mm) | 280.70"(7130mm) |
| FPPXM FEE-8-5-230 | 5"(127mm) | 7.51"(191mm) | 230"(5842mm) | 61.22"(1555mm) | 291.22"(7397mm) |
| FPPXM FEE-8-5-255 | 5"(127mm) | 7.51"(191mm) | 255.23"(6483mm) | 67.32"(1710mm) | 322.55"(8193mm) |
| FPPXM FEE-8-5-269 | 5"(127mm) | 7.51"(191mm) | 268.89"(6830mm) | 70.07"(1780mm) | 338.97"(8610mm) |

Cross Reference-Hyva Type Hydraulic Cylinder



Hyva FC Type Series Telescopic Cylinder

| FPP Model No. | First Stage Diameter | Stroke | Largest Sleeve OD | Closed length |
|---------------------|----------------------|-----------------|-------------------|----------------|
| FPPXM FC-3-107-2855 | 4"(107mm) | 112"(2855mm) | 6"(152mm) | 49.92"(1268mm) |
| FPPXM FC-3-107-3115 | 4"(107mm) | 122.63"(3115mm) | 6"(152mm) | 53.85"(1368mm) |
| FPPXM FC-4-126-5145 | 5"(126mm) | 202.55"(5145mm) | 8.6"(219mm) | 63.26"(1607mm) |
| FPPXM FC-3-145-3230 | 5.7"(145mm) | 127.16"(3230mm) | 8.6"(219mm) | 55.23"(1403mm) |
| FPPXM FC-3-145-3680 | 5.7"(145mm) | 144.88"(3680mm) | 8.6"(219mm) | 61.14"(1553mm) |
| FPPXM FC-3-145-3830 | 5.7"(145mm) | 150.78"(3830mm) | 8.6"(219mm) | 63.11"(1603mm) |
| FPPXM FC-4-145-4110 | 5.7"(145mm) | 161.81"(4110mm) | 8.6"(219mm) | 53.42"(1357mm) |
| FPPXM FC-4-145-4310 | 5.7"(145mm) | 161.81"(4110mm) | 8.6"(219mm) | 55.39"(1407mm) |
| FPPXM FC-4-145-5310 | 5.7"(145mm) | 209.05"(5310mm) | 8.6"(219mm) | 65.23"(1657mm) |
| FPPXM FC-4-145-5865 | 5.7"(145mm) | 230.90"(5865mm) | 8.6"(219mm) | 71.14"(1807mm) |
| FPPXM FC-5-165-6385 | 6.5"(165mm) | 251.37"(6385mm) | 9.6"(244mm) | 63.03"(1601mm) |
| FPPXM FC-5-187-9185 | 7.4"(187mm) | 361.61"(9185mm) | 9.6"(244mm) | 86.65"(2201mm) |
| FPPXM FC-6-187-8790 | 7.4"(187mm) | 346.06"(8790mm) | 9.6"(244mm) | 71.06"(1805mm) |
| FPPXM FC-6-187-9085 | 7.4"(187mm) | 357.67"(9085mm) | 9.6"(244mm) | 73.03"(1855mm) |
| FPPXM FC-7-187-8535 | 7.4"(187mm) | 336.02"(8535mm) | 9.6"(244mm) | 61.37"(1559mm) |
| FPPXM FC-5-210-6135 | 8.3"(210mm) | 241.53"(6135mm) | 10.75"(273mm) | 61.06"(1551mm) |
| FPPXM FC-5-210-6825 | 8.3"(210mm) | 241.14"(6825mm) | 10.75"(273mm) | 66.96"(1701mm) |
| FPPXM FC-5-210-7075 | 8.3"(210mm) | 278.54"(7075mm) | 10.75"(273mm) | 68.93"(1751mm) |
| FPPXM FC-5-210-7325 | 8.3"(210mm) | 288.38"(7325mm) | 10.75"(273mm) | 70.90"(1801mm) |
| FPPXM FC-5-210-7825 | 8.3"(210mm) | 308.07"(7825mm) | 10.75"(273mm) | 74.84"(1901mm) |
| FPPXM FC-5-210-9185 | 8.3"(210mm) | 361.61"(9185mm) | 10.75"(273mm) | 86.65"(2201mm) |

FPP's suppliers advanced interior design, engineering, and end-to-end manufacturing capabilities allow them to develop custom single or double-acting multistage telescopic cylinders for customers.

Whether it's a one-off project or a large-volume OEM product, they can manufacture custom cylinders.



Off-shore Cylinder



8 Stages Cylinder



Dump Truck Cylinder

Thumb Cylinder



Stainless Steel Cylinder



Special Equipment Cylinder



Excavator Cylinder



Mining Haul Truck Cylinder

Construction



Mining



Forestry



Material Handlings



Agriculture



Ariel Lift



Dump Truck



Refuse Management





Stop the Leak-Main Seals

Superior quality named-brand seals improve a longer life and seal effect. Better performance, achieve worry-free operation.

1. Polyurethane U-packing rod seals
2. Bonded-to-metal wiper seals
3. Teflon or nylon seals
4. Customer specified seal

Hallite 

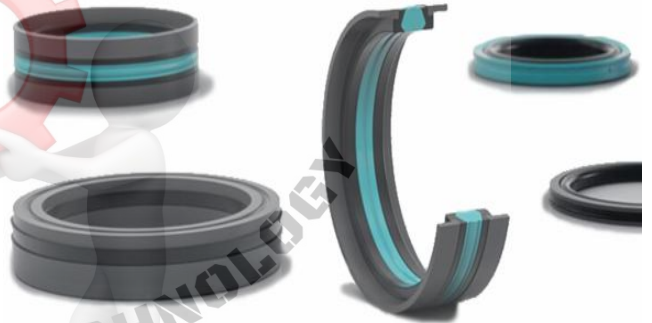
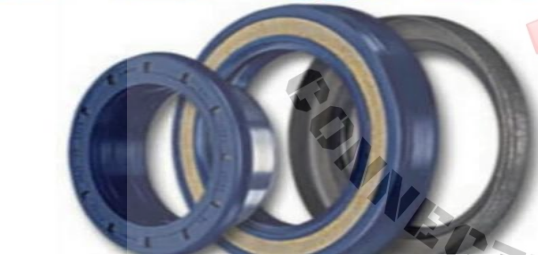


Parker



NOK


TRELLEBORG

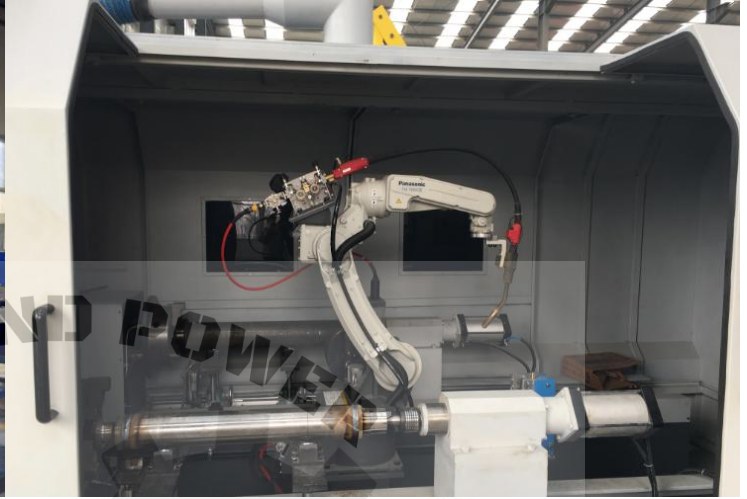


SKF



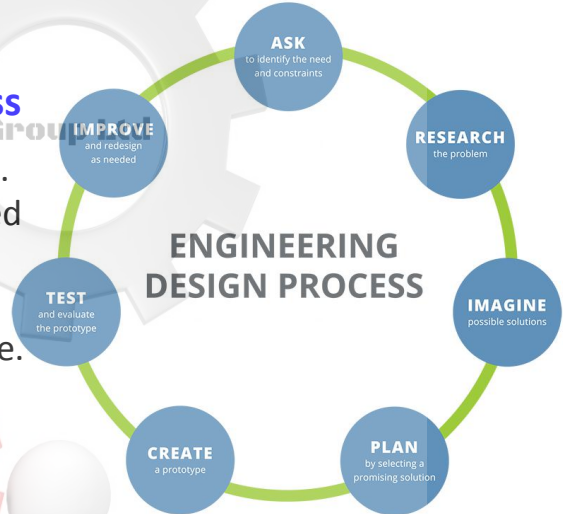


www.flatlandpowerproducts.com
1-888-988-1324



Quality Management for Pre-design Process

The preparation management for technical design.
The assessment and approval system for a qualified supplier.
Supply chain management.
Perfect quality management organization structure.
World-class inspection and testing equipment.



Quality Management for Manufacturing Process

Effective control for site quality.
Standardized management for complete mfg process
360 Degree inspection management for complete mfg process.
Regular inspection mgmt of performance and calibrate equipment.
Cpk Process control.
The perfection combination of mfg process and designing.



Flatland Power Product has sourced preferred partners when discussing and purchasing hydraulic cylinders and other machinery parts. FPP'S products have spread all over the world, our excellent product quality are widely recognized by customers, which bring long-term and stable partnership. FPP works with our customers to source out the best quality products for our customers demands.

Flatland's product manufacturers can provide directly interchangeable cylinders for the brands below.

**Original manufacturer names and logos are for reference purpose only.





XIAMEN ROCA NORTH AMERICA SALES OFFICE:
Flatland Power Products a division of Flatland Power Group LTD

Office: 225 Railway Street East, Cochrane, AB T4C 1V5, Canada
Office: +1-584-848-4364
General Inquiries: ops@flatlandpower.com

Sales Manager: Cory Swedburg
Sales: 1-403-803-5204
E-mail: corys@flatlandpower.com

XIAMEN ROCA NORTH AMERICA OFFICE:
Don Brown(NA Business Development Director)
Tel: (1)-858-705-7231
E-mail:dsbrown@xmroca.com
Add:E Sourwood Dr., Gilbert Az 85298,USA