

# ORDER REFERENCES

## Hydroponic - Indoor Growing Facilities(Dimmable)

Type/Region	Power	Voltage	Lamp	Order Reference Number
United States	HPS 1000W	277V	DE,Dimmable	H1-1000277Y1W-GIH
Canada/United States	HPS 1000W	120-240V	DE,Dimmable	RS1-1000CY2W-GIA
Canada	HPS 1000W	347V	DE,Dimmable	H1-1000347Y1W-GIG
Canada/United States	CMH 1000W	240V	Double Ended	H1-945240AS G-G24B
United States	CMH 1000W	277V	Double Ended	H1-1000277LW-WNX
United States	CMH, 315W	277V	Single Ended	H1-315277IW-WNX
United States	CMH, 630W	277V	Dual	H2-315277S W-WNX
United States	CMH, 630W	277V	Double Ended	RS1-630277Y1W-WNX
Canada/United States	CMH, 315W	120-240V	Single Ended	RS1-315CIW-WN7
Canada	CMH, 315W	347V	Single Ended	H1-315347IW-WNB
Canada	CMH, 630W	347V	Double Ended	RS1-630347Y1W-WNA
Canada	CMH, 630W	347V	Dual	H2-315347S W-WNA

## Commercial Greenhouses

Type/Region	Power	Voltage	Lamp	Order Reference Number
Europe	HPS 1000W	400V	Double Ended	H1-1000400DW-GN14
	HPS 750W	400V	Double Ended	H1-750400DW-GN14
	HPS 600W	400V	Double Ended	H1-600400DW-GN14
United States	HPS 1000W	277V	Double Ended	H1-1000277Y1W-GIH
	HPS 1000W	480V	Double Ended	H1-1000480Y1W-GIB
Canada	HPS 1000W	347V	Double Ended	H1-1000347Y1W-GIG

## LED Systems

Type/Region	Power	Voltage	PPF	Luminous flux	Order Reference Number
Toplighting	LED 240W	100-277/347/480V	919µmol/s	26400Lm	240W RGGE240ZSA
Toplighting	LED 480W	100-277/347/480V	2099µmol/s	57600Lm	480W RGGE480ZSA
Toplighting	LED 480W	100-277/347/480V	2099µmol/s	57600Lm	480W RGGE4808ZSA
Toplighting	LED 630W	100-277/347/480V	2218µmol/s	75600Lm	630W RGGE6308ZSA
Toplighting	LED 800W	100-277/347/480V	2597µmol/s	96000Lm	800W RGGE8008ZSA
Toplighting	LED 960W	100-277/347/480V	2926µmol/s	115200Lm	960W RGGE9608ZSA
Toplighting	LED 660W	100-277V	1700µmol/s		RGGE6606FSA
Toplighting	LED 880W	100-277V	2184µmol/s		RGGE8808FSA
Toplighting	LED 240W	100-277V			
Toplighting	LED 480W	100-277V			
Toplighting	LED 720W	100-277V			
Toplighting	LED 960W	100-277V			
Toplighting	LED 300W				
Toplighting	LED 450W				
Toplighting	LED 600W				

## Grow Light Bulb

Power	Base	Lumen	CCT	Bulb Type	PPF	Order Reference Number
HPS 600W	K12*30S	9000LM	2100K	Double Ended	1050µmol/s	
HPS 1000W	K12*30S	15500LM	2100K	Double Ended	2100µmol/s	
MH 600W	K12*30S	6000LM	4000K	Double Ended	800µmol/s	
MH 600W	K12*30S	5000LM	6000K	Double Ended	700µmol/s	
MH 600W	K12*30S	3600LM	10000K	Double Ended	650µmol/s	
MH 1000W	K12*30S	10000LM	4000K	Double Ended	1500µmol/s	
MH 1000W	K12*30S	9500LM	6000K	Double Ended	1350µmol/s	
MH 1000W	K12*30S	7000LM	10000K	Double Ended	1350µmol/s	
CMH 315W	PGZX18	3700LM	3100K	Single Ended	570µmol/s	
CMH 315W	PGZX18	3300LM	3000K-R	Single Ended	540µmol/s	
CMH 315W	PGZX18	3300LM	4200K	Single Ended	540µmol/s	
CMH 630W	K12*30S	7850LM	3100K	Double Ended	1200µmol/s	
CMH 630W	K12*30S	6500LM	3000K-R	Double Ended	1100µmol/s	
CMH 630W	K12*30S	6500LM	4200K	Double Ended	1150µmol/s	
CMH 1000W	K12*30S	10000LM	3100K-Agro	Double Ended	1800µmol/s	
CMH 1000W	K12*30S	9500LM	3000K-R	Double Ended	1700µmol/s	
CMH 1000W	K12*30S	9500LM	4200K	Double Ended	1700µmol/s	



**FLATLAND POWER PRODUCTS**

DIV OF FLATLAND POWER GROUP LTD

**1-888-988-1324**

**ops@flatlandpower.com**

**Leader in Horticulture Lighting Systems**

CONTACT

**Flatland Power Products**

225 Railway St East Cochrane AB T4C2C3  
Canada PH: 1-888-988-1324  
Email: ops@flatlandpower.com



**FLATLAND POWER PRODUCTS**

DIV OF FLATLAND POWER GROUP LTD



**Flatland Power Products**

**22S Railway St East Cochrane AB T4C2C3 Canada**

**PH:1-888-988-1324**

**Email: [ops@flatlandpower.com](mailto:ops@flatlandpower.com)**



**FLATLAND POWER  
PRODUCTS**

DIV OF FLATLAND POWER GROUP LTD

## **MAKE YOUR SMART CHOICE**





**PRO 1000W DE FIXTURE Y2**

**RS1-1000CY2W-GIA**  
**RS1-1000277Y2W-GIH**  
**RS1-1000347Y2W-GIG**



**Performance**

Lamp	1000W
Input Volts	120-240V/277V/347V
Input Power	1055W-1085W/1045W/1040W
Input Current	4.6A-9.3A/3.85A/3.07A
Min Power Factor	0.99
THD	<10%
Crest Factor	<1.7

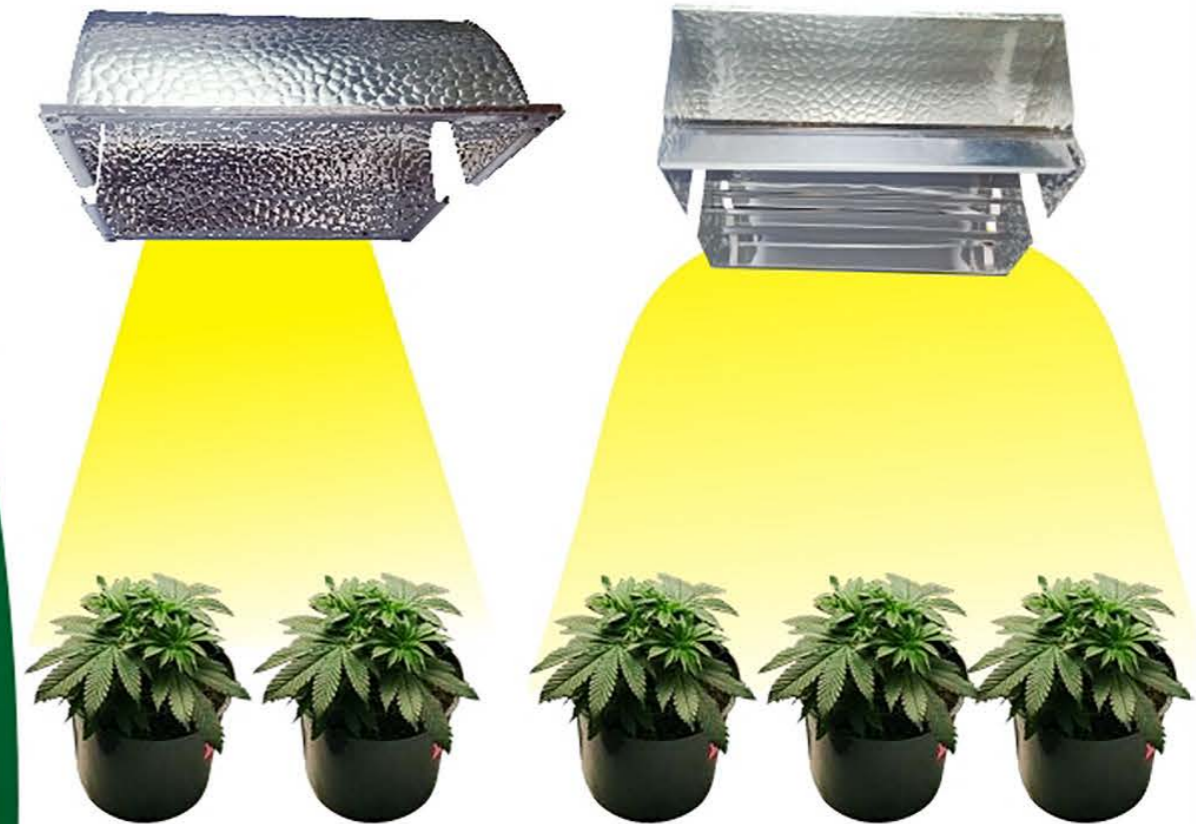
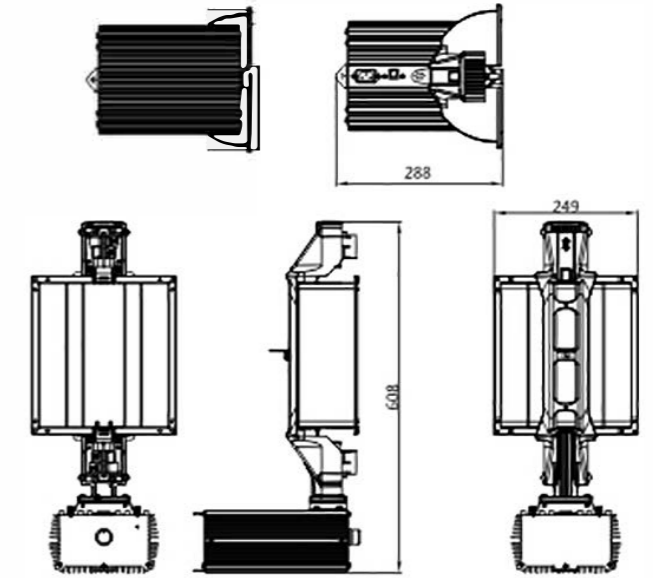
**Dimming Type:**

600W/750W/825W/1000W/1150W  
Compatible with master controller

**Performance Requirements:**

Rated mains voltage:	120-240V/277V/347V
Voltage range [+/-10%]:	108-264V/249-305V/312-382V
Mains frequency:	50/60Hz
Operation frequency [typical]:	100-120KHz

**Main Dimension**



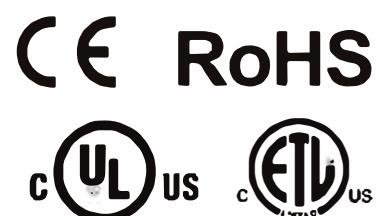




PRO 1000W DE FIXTURE Y1



**H1-1000CY1W-GII**  
**H1-1000277Y1W-GIH**  
**H1-1000347Y1W-GIG**  
**H1-1000480Y1W-GIB**



**Performance**

Lamp	1000W
Input Volts	120-240V/277V/347V/480V
Input Power	1055-1085W/1045W/1040W/1032W
Input Current	4.6A-9.3A/3.85A/3.07A/2.17A
Min Power Factor	0.99
THD	<10%
Crest Factor	<1.7

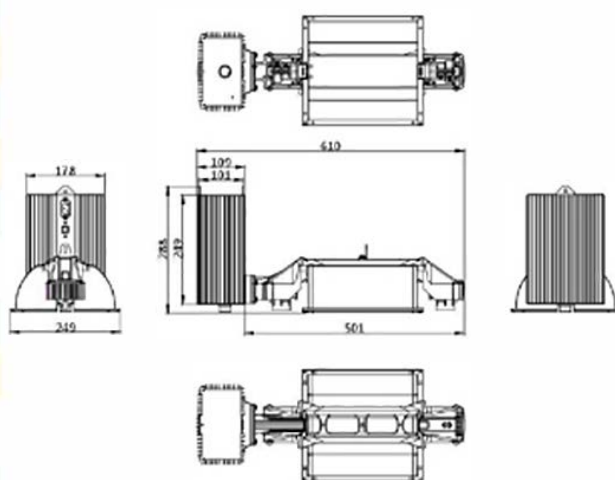
**Dimming Type:**

600W/750W/825W/1000W/1150W  
Compatible with master controller

**Performance Requirements:**

Rated mains voltage:	120-240V/277V/347V/480V
Voltage range [+/-10%]:	108-264V/249-305V/312-382V/432-505V
Mains frequency:	50/60Hz
Operation frequency [typical]:	100-120KHz

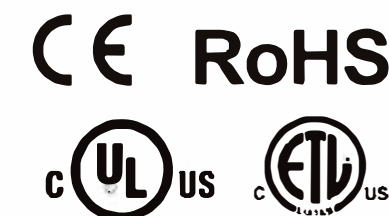
**Main Dimension**



PRO 1000W DE FIXTURE K5



**H1-1000240K5W-GIF**  
**H1-1000277K5W-GIA**  
**H1-1000347K5W-GID**



**Performance**

Lamp	1000W
Input Volts	240V/277V/347V
Input Power	1055W/1045W/1040W
Input Current	4.6A/3.85A/3.07A
Min Power Factor	0.99
THD	<10%
Crest Factor	<1.7

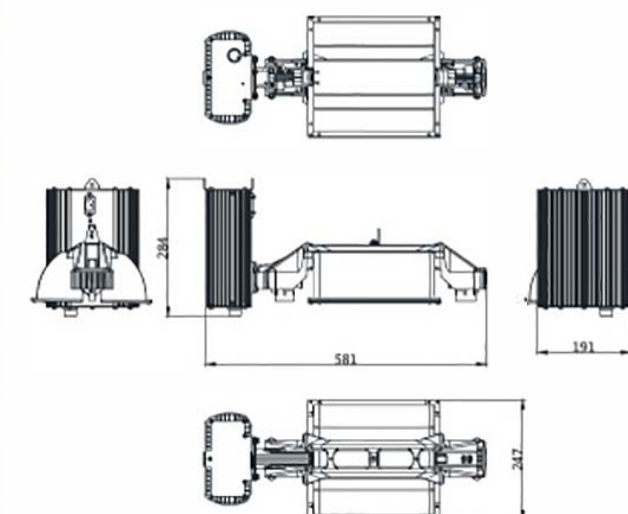
**Dimming Type:**

600W/750W/825W/1000W/1150W  
Compatible with master controller

**Performance Requirements:**

Rated mains voltage:	240V/277V/347V
Voltage range [+/-10%]:	216-264V/249-305V/312-382V
Mains frequency:	50/60Hz
Operation frequency [typical]:	100-120KHz

**Main Dimension**







## HPS/MH1000WL-1

### Performance

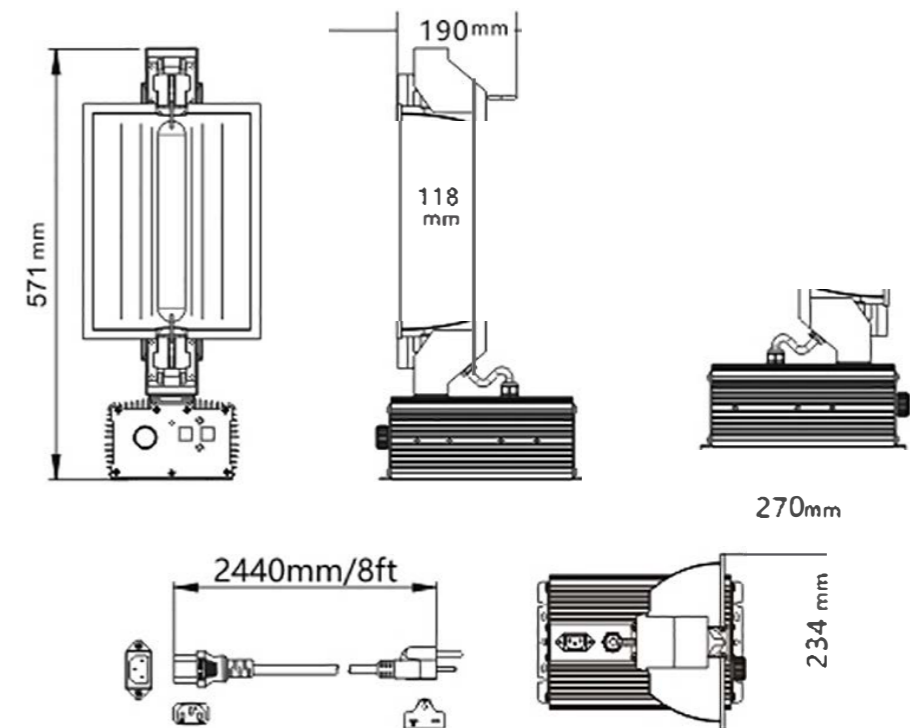
Lamp	1000W
Input Volts	120-240V
Input Power	1085W/1055W
Input Current	9.3A/4.6A
Min Power Factor	0.99
THD	<10%
Crest Factor	<1.7

### Performance Requirements:

Rated mains voltage:	120-240V
Voltage range [+/-10%]:	108-264V
Mains frequency:	50/60Hz
Operation frequency [typical]:	100-170KHz



### Main Dimension







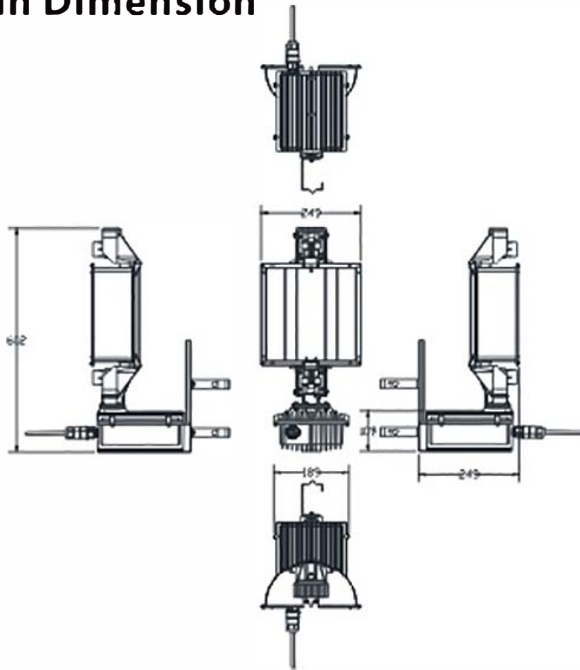
**COMMERCIAL GREENHOUSE 400V DE FIXTURE**



**1000W DE FIXTURE WITH ADJUSTABLE REFLECTOR**



**Main Dimension**



**H1-1000400DW-GN1**

**Performance**

Lamp	1000W
Input Volts	400V
Input Power	1032W
Input Current	2.61A
Min Power Factor	0.99
THD	<10%
Crest Factor	<1.7

**Dimming Type:**

600W/750W/1000W/1150W

**Performance Requirements:**

Rated mains voltage:	400V
Voltage range [+/-10%]:	360-420V
Mains frequency:	50/60Hz
Operation frequency [typical]:	120kHz



**H1-1000240AW-GMN**

**Performance**

Lamp	1000W
Input Volts	240V
Input Power	1055W
Input Current	4.60A
Min Power Factor	0.99
THD	<10%
Crest Factor	<1.7

**Dimming Type:**

600W/660W/1000W/1150W

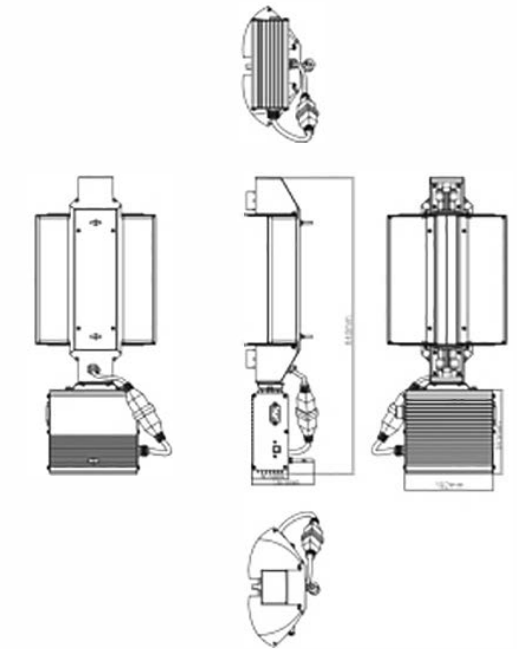
Compatible with master controller

**Performance Requirements:**

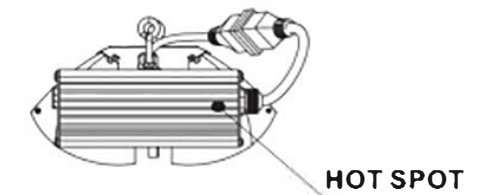
Rated mains voltage:	240V
Voltage range [+/-10%]:	216-264V
Mains frequency:	50/60Hz
Operation frequency [typical]:	100-120kHz



**Main Dimension**



**Tcase max = 75°C/167°F**





**315W SE CMH FIXTURE**

**RS1-315CIW-WN7**  
**RS1-315277IW-WNX**  
**RS1-315347IW-WNB**



**Performance**

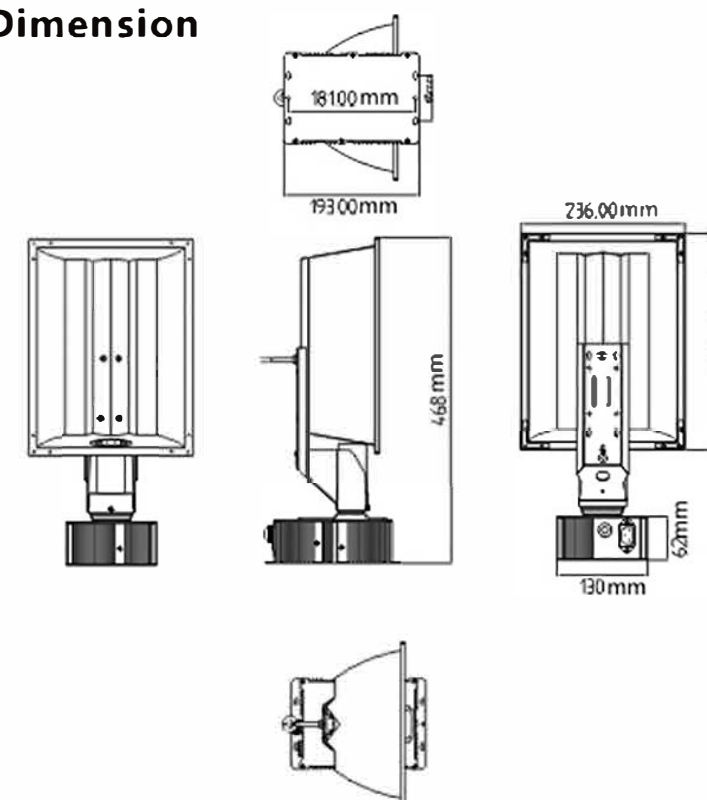
Lamp	315W
Input Volts	120-240V/277V/347V
Input Power	343W
Input Current	1.43A-2.89A/1.30A/0.99A
Min Power Factor	0.95
THD	<15%
Crest Factor	<1.7

**Performance Requirements:**

Rated mains voltage:	120-240V/277V/347V
Voltage range [+/-10%]:	108-264V/250-290V/312-382V
Mains frequency:	50/60Hz
Operation frequency [typical]:	140-220Hz

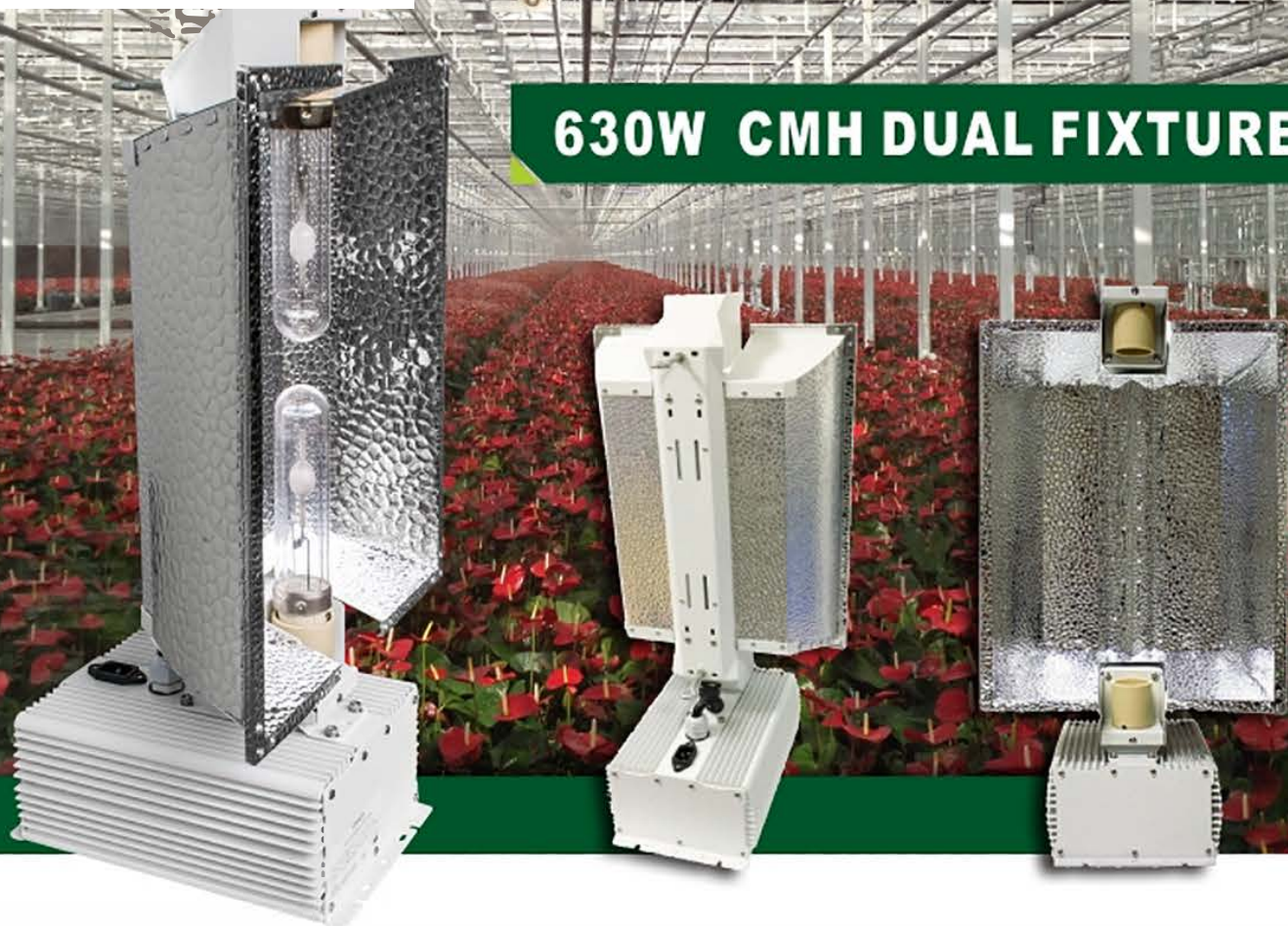


**Main Dimension**





## 630W CMH DUAL FIXTURE



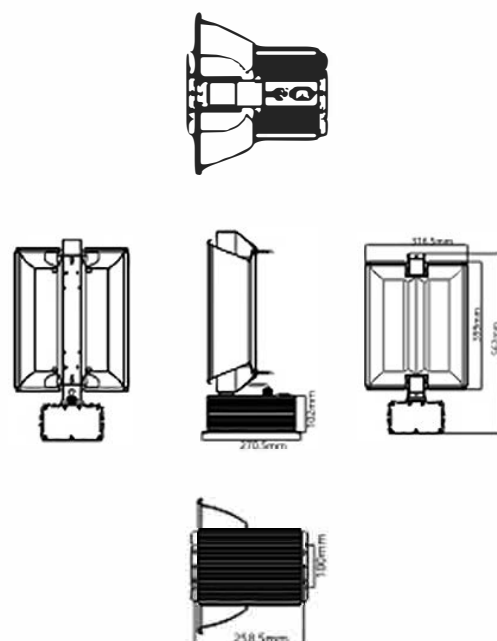
## 630W DE CMH FIXTURE



### H2-315CSW-WN9 H2-315277SW-WNX H2-315347SW-WNA



Main Dimension



#### Performance

Lamp	315W
Input Volts	120-240V/277V/347V
Input Power	686W
Input Current	2.86A-5.78A/2.6A/0.99A
Min Power Factor	0.95
THD	<15%
Crest Factor	<1.7

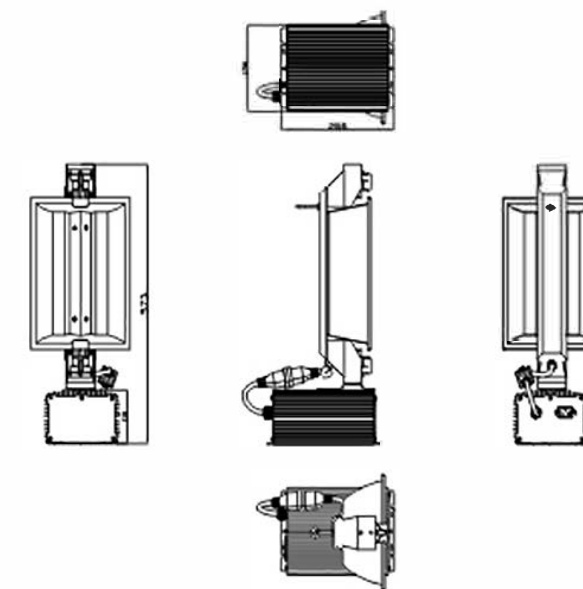
#### Performance Requirements:

Rated mains voltage:	120-240V/277V/347V
Voltage range [+/-10%]:	108-264V/249-290V/312-382V
Mains frequency:	50/60Hz
Operation frequency [typical]:	140-220Hz

### RS1-630CLW-WNC RS1-630277Y1W-WNX RS1-630347Y1W-WNA



Main Dimension



#### Performance

Lamp	630W
Input Volts	120-240V/277V/347V
Input Power	675W/665W
Input Current	2.79A-5.56A/2.40A/1.92A
Min Power Factor	0.95
THD	<15%
Crest Factor	<1.7

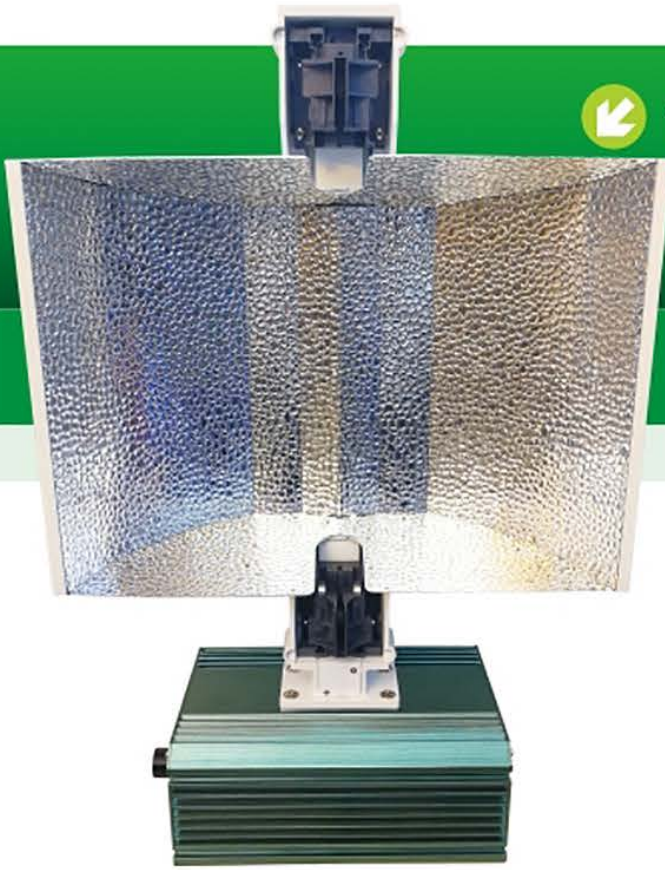
#### Performance Requirements:

Rated mains voltage:	120-240V/277V/347V
Voltage range [+/-10%]:	108-264V/249-290V/312-382V
Mains frequency:	50/60Hz
Operation frequency [typical]:	140-220Hz



1000W CMH DE FIXTURE

1000W DE CMH FIXTURE



**H1-945240ASG-G24B**



**Performance**

Lamp	945W/1000W
Input Volts	240V
Input Power	1000W
Input Current	4.23A
Min Power Factor	0.95
THD	< 15%
Crest Factor	< 1.7

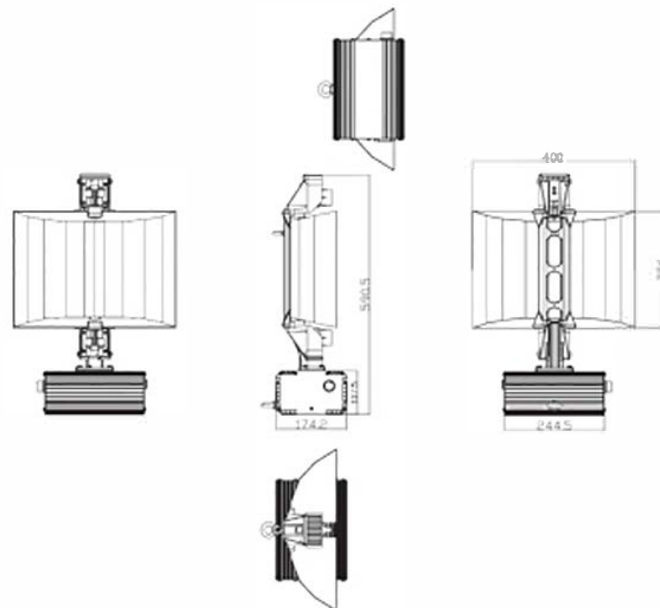
**Dimming Type:**

945W/1000W

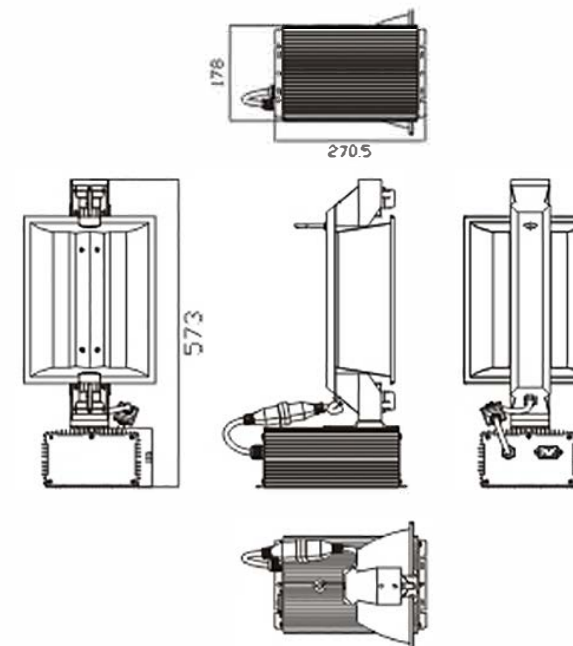
**Performance Requirements:**

Rated mains voltage:	240V
Voltage range [+/-10%]:	216-264V
Mains frequency:	50/60Hz
Operation frequency [typical]:	140-220Hz

**Main Dimension**



**Main Dimension**



**H1-1000240LW-WNA**  
**H1-1000277LW-WNX**

**Performance**

Lamp	1000W
Input Volts	240V/277V
Input Power	1055W/1045W
Input Current	4.60A/3.85A
Min Power Factor	0.95
THD	< 15%
Crest Factor	< 1.7

**Performance Requirements:**

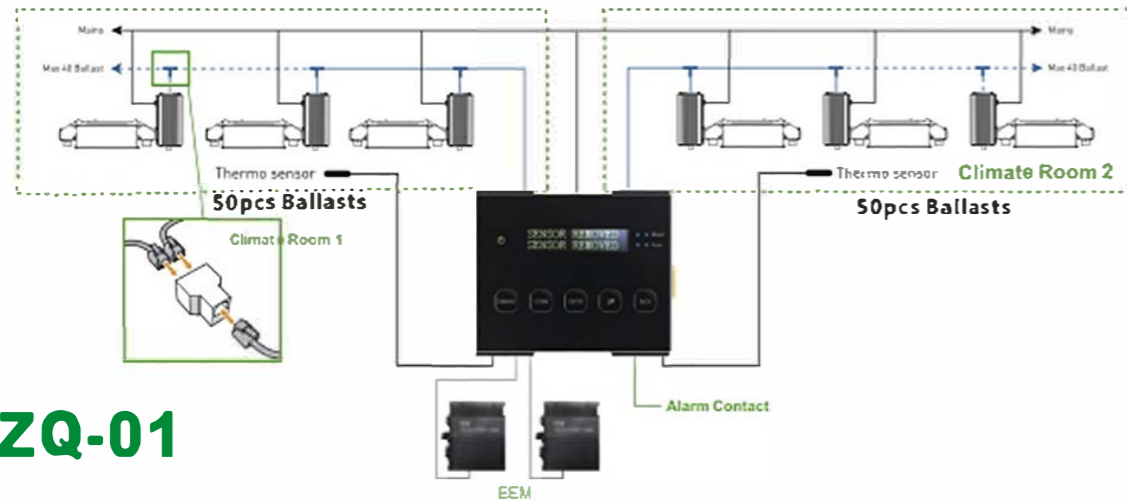
Rated mains voltage:	240V/277V
Voltage range [+/-10%]:	108-264V/264-290V
Mains frequency:	50/60Hz
Operation frequency [typical]:	140-220Hz



## Master Controller



### Master controllers



## ZTKZQ-01

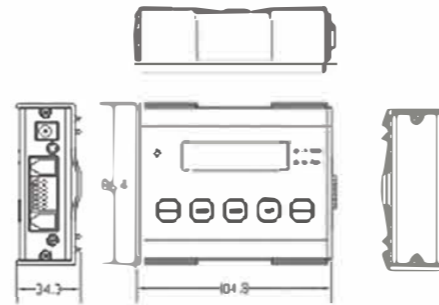
### Performance

Input Volts	Adapter:100V-240V AC 50/60Hz -5V DC	
Select ballast type	315W/400W/600W/ 630W/750W/1000WLED	
Set output level	50-115%	
Outputs	2	
Temperature sensors	2	
Number of ballasts per output	50	
Total number of ballasts	100	
External Contactor Modules	2 optional	

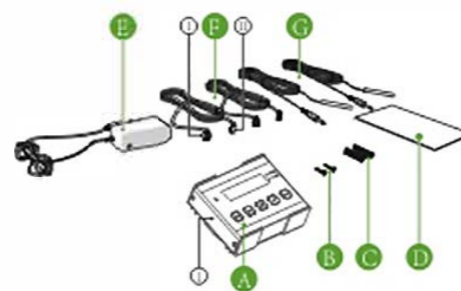
### Performance

Case Length	104.8mm	4.13"
Case Width	86.4mm	3.40"
Height	34.3mm	1.35"
Weight	0.25kg	0.55lb

### Functions



### Components



## Timer Grow Light Master Controller

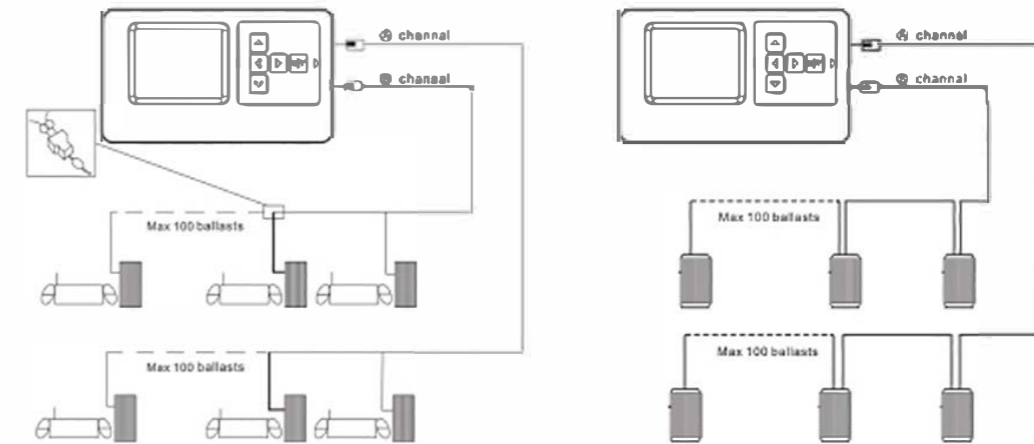


- Set output level from 0% to 100%.
- Sunrise/Sunset Timing Setup
- Temperature and Humidity Sensors with solid cable connection or Bluetooth Communication
- APP Operation on the Phone to Master Controller via BlueTooth.



## Congratulations!

You have one more option to control the lighting system with your Phone now



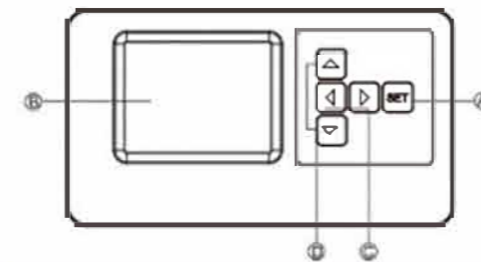
Switch the rotary knob on all ballasts to "EXT"

Plug the RJ14 end of the provided controller cable into the RJ14 main port of the controller

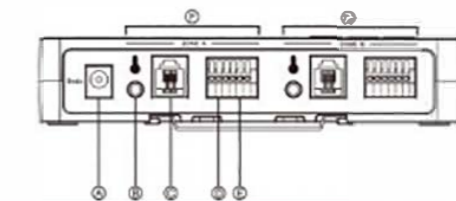
Plug the RJ14 end of the controller cable(s) into the input of a RJ14 splitter. Use an interconnect cable to connect one output of the RJ14 splitter to the RJ14 port of the ballast

Use an interconnect cable to connect one output of the RJ14 splitter to the input of the following RJ14 splitter

Repeat this process to connect up to 100 pcs ballasts.



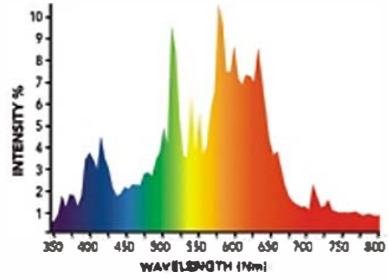
CONTROLLERS		
Key	Function	
A	Set	To get cursor(long press)/confirm(short press)
B	Display	Display status and controller menu
C	Right/Left	Move cursor
D	Up/Down	Change the Value



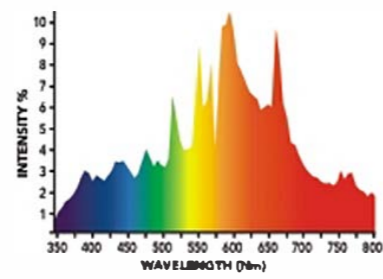
CONTROLLERS	
A	5V DC input
B	3.5mm jack aux temperature sensor
C	RJ14 aux port for controlling up to 100 pcs ballasts
D	Reply switch controlled by temperature sensor
E	Reply switch controlled by humidity sensor
F	Zone A
G	Zone B, same function as Zone A



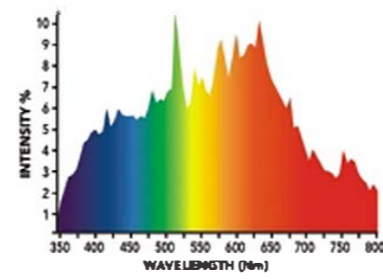
## 315W CMH Single-ended Lamp



**RG315SE3KCMH**



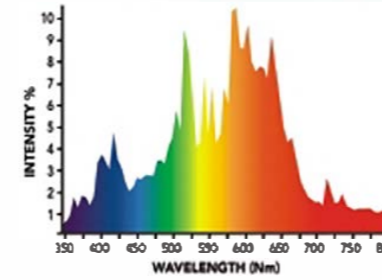
**RG315SE3KRCMH**



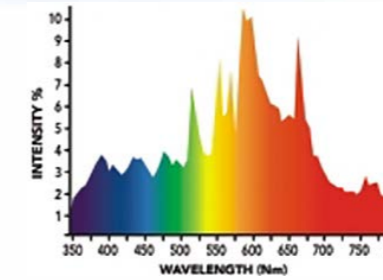
**RG315SE4KCMH**

POWER	BASE	CCT	INITIAL LUMENS	CRI	PPF
315W	PGZX18	3100K	37000lm	90	570μmol/s
315W	PGZX18	3000K-R	33000lm	90	540μmol/s
315W	PGZX18	4200K	33000lm	96	540μmol/s

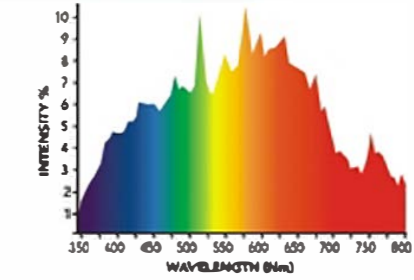
## 630W CMH Double-ended Lamp



**RG630DE3KCMH**



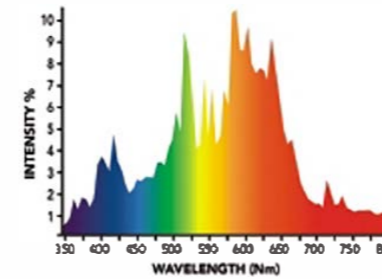
**RG630DE3KRMH**



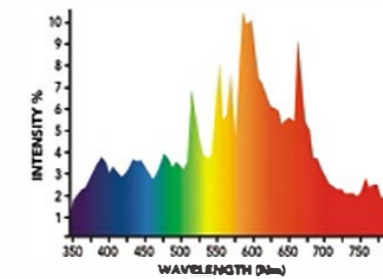
**RG630DE4KCMH**

POWER	BASE	CCT	INITIAL LUMENS	CRI	PPF
630W	K12*30S	3100K	78500lm	90	1200μmol/s
630W	K12*30S	3000K-R	65000lm	90	1100μmol/s
630W	K12*30S	4200K	65000lm	96	1150μmol/s

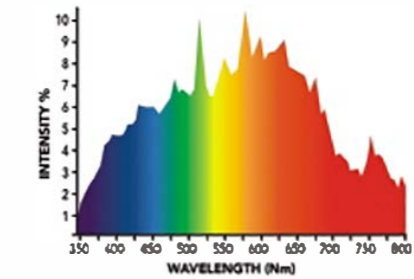
## 1000W CMH Double-ended Lamp



**RG1000DE3KCMH**



**RG1000DE3KRMH**



**RG1000DE4KCMH**

POWER	BASE	CCT	INITIAL LUMENS	CRI	PPF
1000W	K12*30S	3100K-Agro	100000lm	90	1800μmol/s
1000W	K12*30S	3000K-R	95000lm	85	1700μmol/s
1000W	K12*30S	4200K	95000lm	95	1700μmol/s

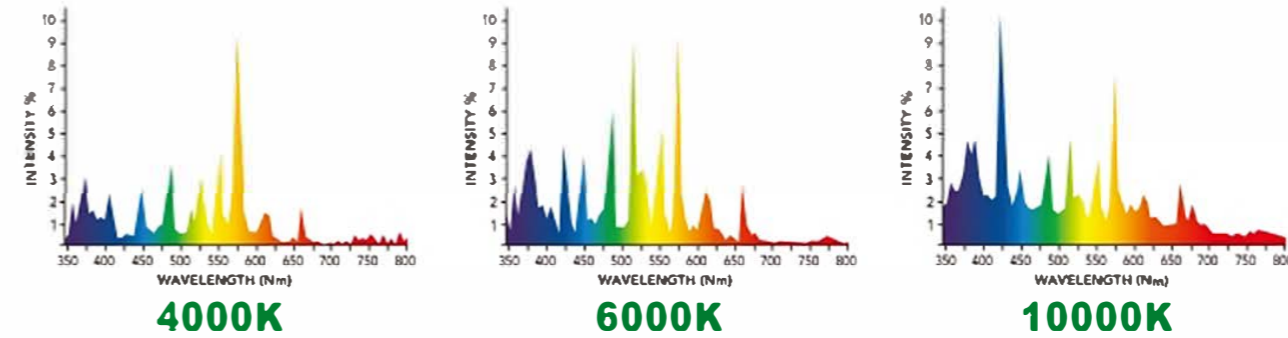
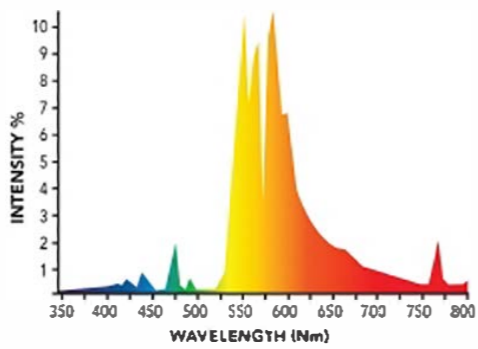






### HPS Double-ended Lamp

### MH Double-ended Lamp



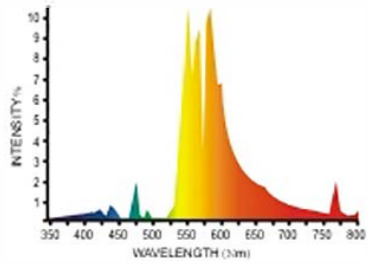
POWER	BASE	CCT	INITIAL LUMENS	CRI	PPF
600W	K12*30S	2100K	90000lm	32	1050µmol/s
1000W	K12*30S	2100K	155000lm	32	2100µmol/s

POWER	BASE	CCT	INITIAL LUMENS	CRI	PPF
600W	K12*30S	4000K	60000lm	65	800µmol/s
600W	K12*30S	6000K	50000lm	70	700µmol/s
600W	K12*30S	10000K	36000lm	90	650µmol/s
1000W	K12*30S	4000K	100000lm	65	1500µmol/s
1000W	K12*30S	6000K	95000lm	70	1350µmol/s
1000W	K12*30S	10000K	70000lm	90	1350µmol/s

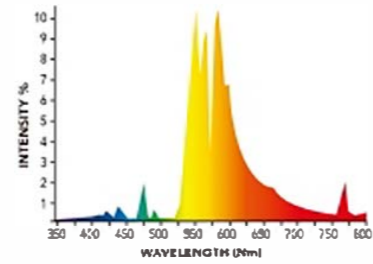
1-888-988-1324 ops@flatlandpower.com



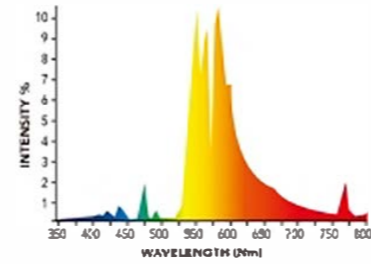
## HPS Single-ended Lamp



**RG400SE2KHPS**



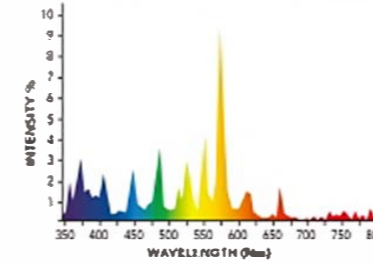
**RG600SE2KHPS**



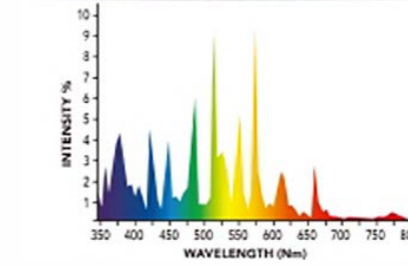
**RG1000SE2KHPS**

POWER	BASE	CCT	INITIAL LUMENS	CRI	PPF
400W	E39	2000K	56000lm	25	700 $\mu$ mol/s
600W	E39	2000K	90000lm	25	1050 $\mu$ mol/s
1000W	E39	2000K	146000lm	25	1850 $\mu$ mol/s

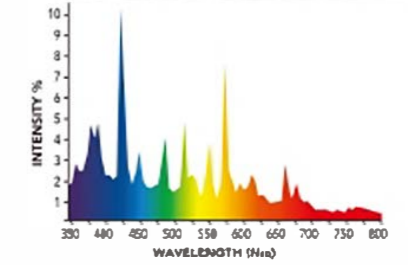
## MH Single-ended Lamp



**4000K**



**6000K**



**10000K**

POWER	BASE	CCT	INITIAL LUMENS	CRI	PPF
400W	E39	4000K	40000lm	65	580 $\mu$ mol/s
400W	E39	6000K	36000lm	70	500 $\mu$ mol/s
400W	E39	10000K	28000lm	90	500 $\mu$ mol/s
600W	E39	4000K	62000lm	65	850 $\mu$ mol/s
600W	E39	6000K	58000lm	65	810 $\mu$ mol/s
600W	E39	10000K	42000lm	90	750 $\mu$ mol/s
1000W	E39	4000K	100000lm	65	1450 $\mu$ mol/s
1000W	E39	6000K	95000lm	70	1350 $\mu$ mol/s
1000W	E39	10000K	70000lm	90	1350 $\mu$ mol/s







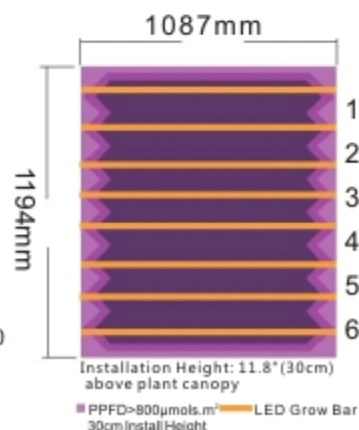
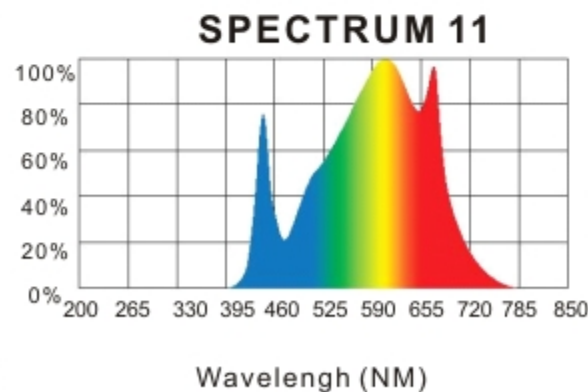
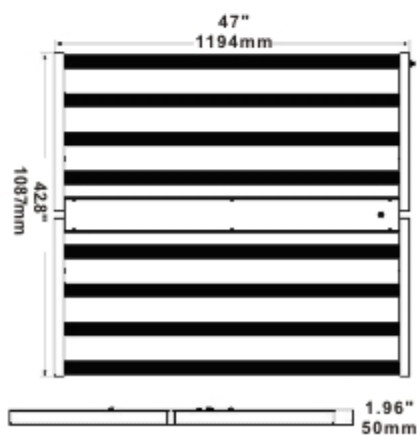
# RISEN Green 880W LED



① RISEN Green 660W LED uses SAMSUNG +, and OSRAM 3030 660nm, MW Driver included.



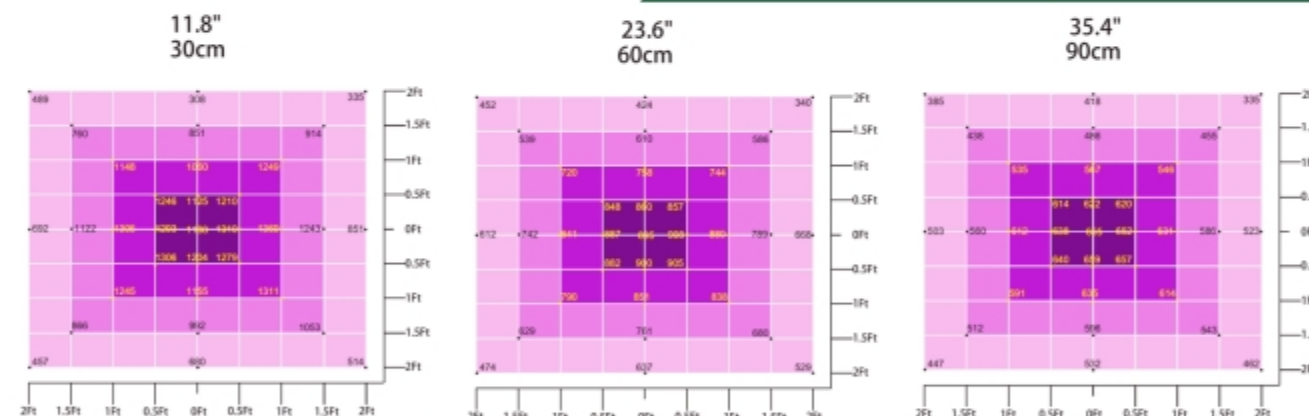
## Main Dimension



## SPECIFICATIONS

Item	RGGE8808FSA
Wattage(±5%)	880W
PPF(±5%)	2,184µmol/s
Efficacy (380 nm ~ 820 nm)	2.6µmol/J
Input Voltage	AC100-277V 50/60Hz
Driver Brand	Mean Well
Light source	OSRAMSMD3030 660nm LEDs/SAMSUNG LM301B LEDs/SAMSUNG LM301D LEDs/SAMSUNG LM561C LEDs
Dimming	0-10V DIMMING (SWITCH/MASTE CONTROLLER OPTIONS)
Power factor	>0.93
Material	6063Aluminum+ silicone cover
Thermal Management	Passive Cooling
Mounting Height	≥ 6" (15.2cm) Above Plant Canopy
Warranty	5 years
Certifications	ETL
IP rating	UL 1598 – suitable for damp locations, CE-IP65 rated
Ambient operating temperature	14 ~ 104 °F (-10 ~ 40 °C)
Fixture Dimensions   N.W	47" L x 42.8" W x 1.96" H   30.9lb 1194mm L x 1087mm W x 50mm H   14kg
Package Sizes   G.W	1250mm Lx600mm Wx 190mm H 15kg

## OPTICS PARAMETER





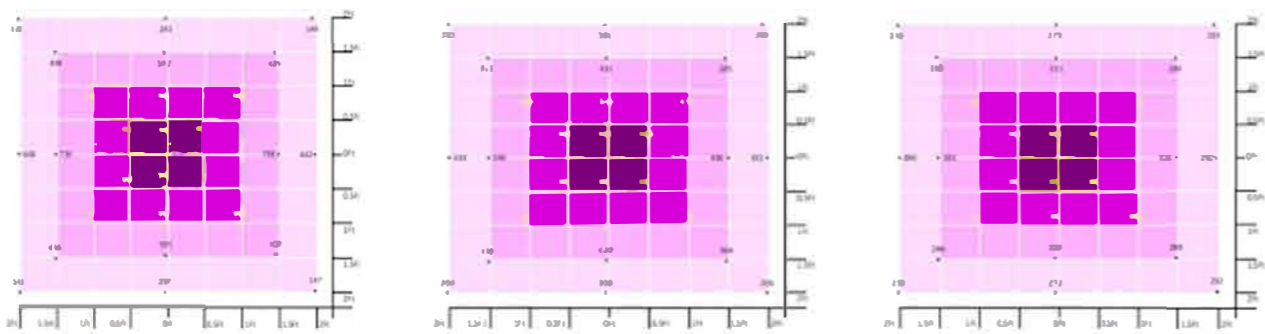
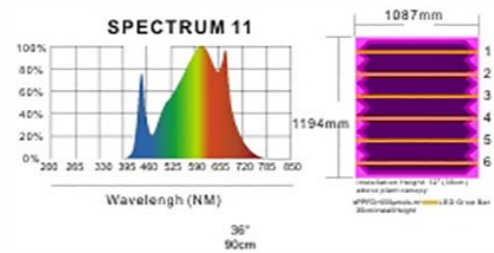
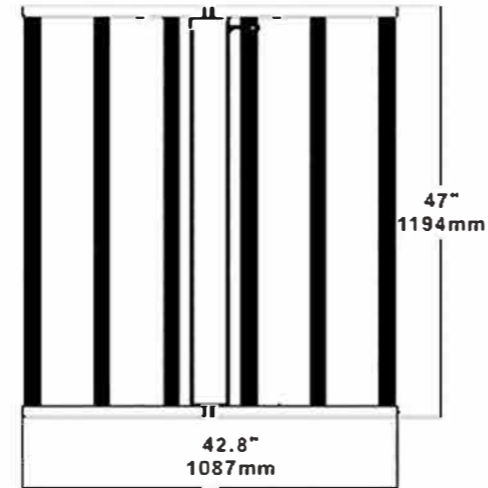
**RISEN Green 660W LED**



① RISEN Green 660W LED uses **SAMSUNG** +, and **OSRAM 3030 660nm**, **Mean Well** Driver included.



Item	RGGE6606FSA
Wattage(±5%)	660W
PPF(±5%)	1,700µmol/s
Efficacy (380 nm – 820 nm)	2.6µmol/J
Input Voltage	AC100-277V 50/60Hz
Driver Brand	Mean Well
Light source	DSRAMSMD3030 660nm LEDs/SAMSUNG LM3018 LEDs SAMSUNG LM301D LEDs/SAMSUNG LMS61C LEDs
Dimming	0-10V DIMMING (SWITCH/MASTECONTROLLEROPTIONS)
Power factor	>0.93
Material	6063 Aluminum + silicone cover
Thermal Management	Passive Cooling
Mounting Height	≥ 6" (15.2cm) Above Plant Canopy
Warranty	5 years
Certifications	ETL
IP rating	UL 1598 – suitable for damp locations, CE-IP65 rated
Ambient operating temperature	14 ~ 104 °F (-10 ~ 40 °C)
Fixture Dimensions   N.W	47" L x 42.8" W x 1.96" H   22.25lb 1194mm L x 1087mm W x 50mm H   10kg
Package Sizes   G.W	1250mm L x 600mm W x 190mm H   11kg



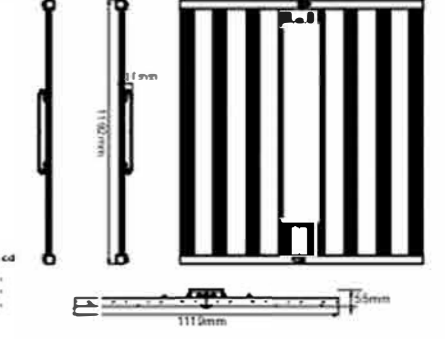
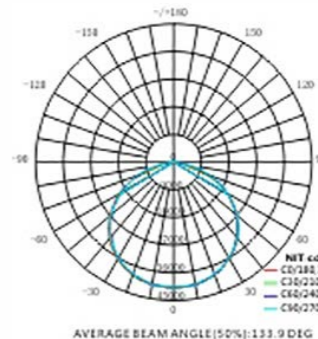
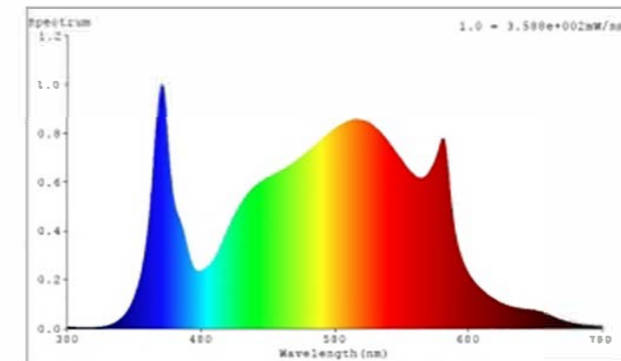
**LED Horticultural Luminaires**



**480W/660W/880W/960W**

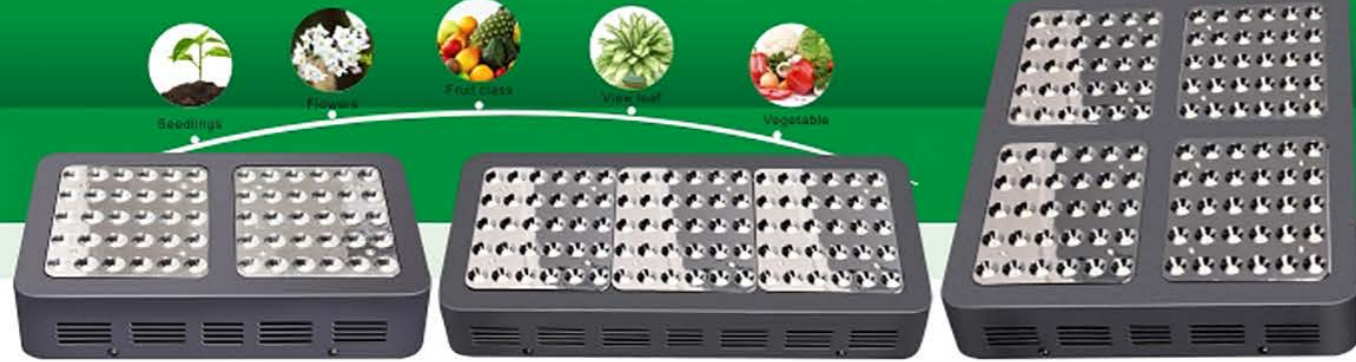
Easy installation and replacement 180° Foldable and 0-10v dimmable Efficacy is up to 2.6 µmol/w

Item description	RGGE4804FWE	RGGE6606FWE	RGGE8808FWE	RGGE9608FWE
Input voltage [Vac]	100-277/347/480Vac			
Input current [A]	2.18@220V	2.86@220V	3.82@220V	4.36@220V
Input wattage [W]	480±10%	660±10%	880±10%	960±10%
Input frequency [Hz]	50/60			
Power factor	≥0.96 @ 220V			
Voltage [V]	108V			
Current(reference) [A]	4.1	5.4	5.4	8.2
Wattage(reference) [W]	440±10%	580±10%	730±5%	880±5%
Luminous flux [Lm]	67341	84528	102230	118575
Colour temperature [K]	2700-5700			
Colour rendering index [Ra]	87			
Flux of emitted photons [µmol/s]	1248	1600	2000	2300
PPFD [PAR]	392(H30cm)	484(H30cm)	617(H30cm)	692(H30cm)
Beam Angle [L.V]	120°			
LED chip	SAMSUNG 2835			
Average life [h]	50000			
Colour	R20% G76 5% . B3.5% @3800K			
Net weight	15.5Kg			
Environment	WET			
Storage Environment	-40°C-85°C RH10%-95%			
Ambient temperture [°C]	25°C- 40°C			



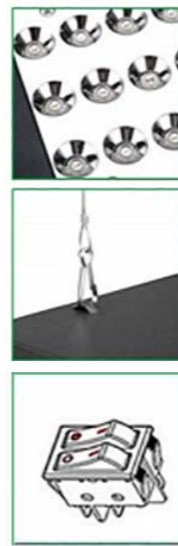


**LED GROW LIGHT B SERIES**



300W LED Grow Light    450W LED Grow Light    600W LED Grow Light

Item	300W LED-Data	450W LED-Data	600W LED-Data
Product size	302X193X60mm	400X195X60mm	365X902X60mm
Input voltage	AC85~265V	AC85~265V	AC85~265V
Work Frequency	50/60Hz	50/60Hz	50/60Hz
Work temperature	-20°-40°	-20°-40°	-20°-40°
Packing size	40X24.5X12cm	50X24.5X10.5cm	46X35.5X12cm
CTN size	52X41.5X26.3cm	51.5X46X26.3cm	52X47.5X37.3cm
Actual Watt	Only Consume 200W	Only Consume 300W	Only Consume 400W
Replace HPS	300W	450W	600W
Cross.W	2.45kg/4ppcs/12kg	4kg/4pcs/16kg	5kg/4pcs/21kg



**Convenient Daisy-Chain Connection**

Total True Wattage of Daisy-Chain lights < 1000W

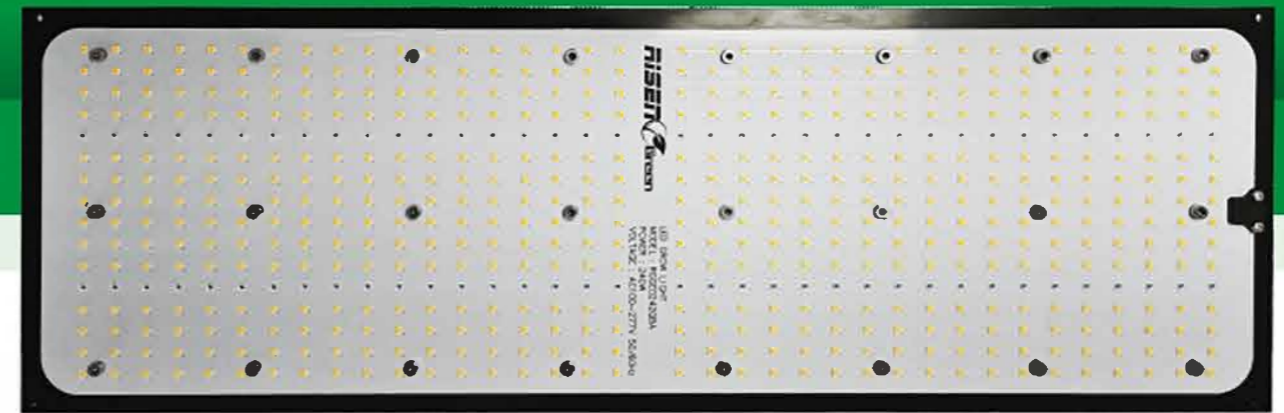
**A: Daisy Chain Outlet**

**B: Socket**

**Three usage modes**  
Cooperate with different stages to save energy and save electricity

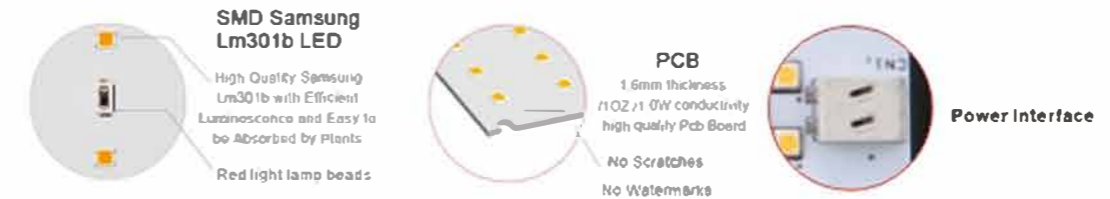
VEG Growth pattern    BLOOM Flowering pattern    VEG+BLOOM Growth and flowering pattern

**LED GROW LIGHT Q SERIES**



**Freely Assemble Daisy Chain as request&different Period.**

Just use fixed stainless steel modules with screws, you can DIY any Size and Power!



- High efficiency white light quantum Boards
- Reliable passive cooled design, 15mm thickness heatsink
- Powerful light penetration with diffused light
- Perfect performance for veg, bloom and fruiting
- Dimmable Power Supply

Item description	Product Parameter			
Specifications	SMS630-W-240	SMS630-W-480	SMS630-W-720	SMS630-W-960
True wattage	240W@220V	480W@220V	720W@220V	960W@220V
LED Quantity	576 PCS	1152 PCS	1728 PCS	2304PCS
LEDs	Samsung LM301B and Epistar 660nm			
Input voltage	AC 100-277V/50-60hz			
PPF	2.7µmol/s/W @220V			
PF value	0.99			
Size	600*195*10mm	600*390*10mm	600*585*10mm	600*780*10mm
Inner Package	655*235*100mm (4.2KG/PCS)			
Outer Package	700*280*450mm (17KG/4PCS)			
warranty	1 Year Warranty for board/5 years Warranty for Meanwell driver			



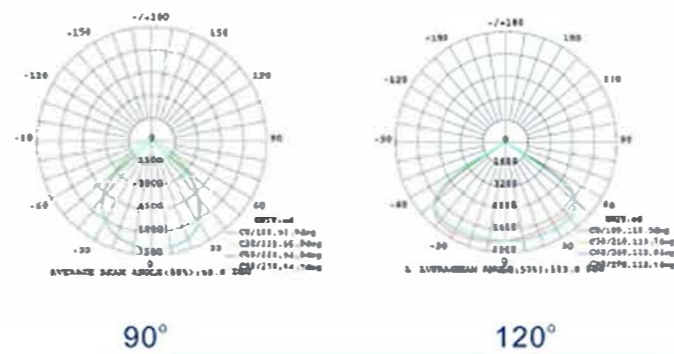
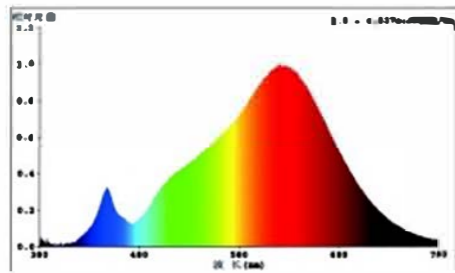
## UFO GROW LIGHTS



100W

150W

200W



Item description	RGGE0100UWU	RGGE0150UWU	RGGE0200UWU
Fixture diameter [mm]	230	270	320
Fixture Height [mm]	193	198	205
Input voltage [VAC]	100-277V AC		
Input frequency [HZ]	50/60		
Input current [A]	0.45(220V)	0.68(220V)	0.94(220V)
Input wattage [W]	100±10%	150 ±10%	200 ±10%
Power factor	>0.95		
PPF (+5%) [μmol/s]	181.79	295.3	371
Efficacy(380nm~820nm) [μmol/w]	1.9	1.95	2.0
Wattage(reference) [W]	94±5%	138±5%	188 ±5%
power efficiency	94%		
Luminous flux [Lm]	11000	16500	21500
Colour temperature [K]	2700- 4000K		
Colour rendering index [Ra]	90		
Lumen maintenance(2000h) [%]	98		
Beam Angle [H. V]	90° ,120°		
Average life [h]	54000		
Net weight [Kg]	2.0(set)	2.9(set)	3.37 (set)
Gross weight [Kg]	2.7(set)	3.7(set)	4.3 (set)
Carton size	270*270* 200	315*315*210	375*375*215
IP	IP65		
Ambient temperature [C]	-25°C ~ 45°C		

## MINI DIGITAL BALLAST WITH FAN



**H1-400CO1B-GAA**  
**H1-600CO1B-GAA**  
**H1-1000CO1B-GAA**



### Performance

Lamp	400W/600W/1000W
Input Volts	120V-240V
Input Power	425W-430W/645W-655W/1055W-10885W
Input Current	1.77-3.59A/2.80-5.60A/4.60-9.60A
Min Power Factor	0.99
THD	<10%
Crest Factor	<1.7

### Dimming Type:

50%/70%/100%

### Performance Requirements:

Rated mains voltage:	120-240V
Voltage range[+/- 10%]:	108-264V
Mains frequency:	50/60Hz
Operation frequency [typical]:	100-120kHz

## DIGITAL BALLAST WITH FAN



**H1-400COB-GBT**  
**H1-600COB-GBT**  
**H1-1000COB-GBT**



### Performance

Lamp	400W/600W/1000W
Input Volts	120V-240V
Input Power	425W-430W/645W-655W/1055W-10885W
Input Current	1.77-3.59A/2.80-5.60A/4.60-9.60A
Min Power Factor	0.99
THD	<10%
Crest Factor	<1.7

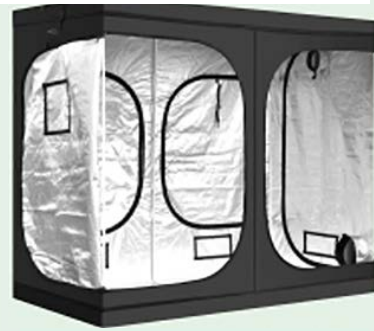
### Dimming Type:

150W/ 250W/ 400W/ Super Lumens  
250W/ 400W/ 600W/ Super Lumens  
600W/ 750W/ 1000W/ Super Lumens

### Performance Requirements:

Rated mains voltage:	120-240V
Voltage range[+/-10%]:	108-264V
Mains frequency:	50/60Hz
Operation frequency [typical]:	80kHz





96"x48"x78" (4'x8')



60"x60"x78" (5'x5')



32"x32"x63"



48"x48"x78" (4'x4')

## Grow Tent

- Easy Assembly
- Heavy Duty Construction
- Highly Reflective Mylar Interior

### Easy-view Window

- Make It Easy To Take A Peek Inside
- Removable Floor For Easy Cleaning
- Plastic Corner But So Uncommon
- Durable PP Material Adopted
- Reinforced Double-wall Design For Firmed Support
- Hold Poles Tightly & Provide Pretty Sturdy Frame



## Activated Carbon Filter

- Carbon thickness: 2"
- Coconut shell activated carbon filter
- Iodine sorption value: 900-950
- Removes 99.5% of airborne odors
- included 18 Months Average life expectancy



## 4"/6" DUCTING

Material	Alloy aluminum
Thickness	0.025mm-0.035mm
Temperature Range	-30°C / + 150°C
Operating Pressure	2500pa
Inner Diameter	50mm-300mm
Length	10m or as Request



## Trellis Netting

Model	Spec	Material	Carton sizes
RGGAB015TNA	5ft x 15ft	Polyester	56*33.5*36cm
RGGAB030TNA	5ft x 30ft	Polyester	51*33.5*35cm
RGGAB350TNA	5ft x 350ft	Polyester	57.5*48*48cm

**SAVE SPACE:** Expand upward! Direct your plants by weaving the netting around poles or bamboo sticks for a quick, extremely sturdy trellis that will hold the weight of your plant

## Flower Trimmer



Power Type:	Manual, Manual Cutter
Material:	316 stainless steel
Shape:	Bowl
Size:	16 inch/19inch
Weight:	6.26KG/7.11KG
Package Size:	43.5X43.5X28cm/49X49X29cm
Color:	Silver
Warranty:	1 Year



## Electric Motor fan blower

Duct Size	4 Inch	Input Power	87W
Volt/Frequency	120V/60HZ	Fan Speed	2500 rpm
Airflow	190 CFM	Power Cord Length	6 FEET



**Flexi Ratchet 1/8"**  
LIGHT FIXTURE HANGERS

Model Number:	Rope ratchet
Body material:	Strong Nylon
Rope material:	Close-knit polypropylene rope
Size:	1/8"
B.S.:	150 lbs
Hook:	Carabiner hook or S hook
Package:	blister

## 3-in-1 Soil Tester



- No batteries
- Three detection functions
- Plug and play
- Convenient and easy to use

color	Green
weight	About 90g
Usage mode	Insert into the soil
Usable range	Greenhouse garden, etc
size	About 26cm
The length of the probe	About 17.5cm



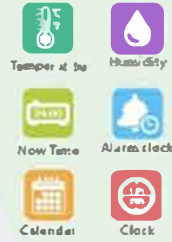
**7-Day Dual Outlet Digital Timer**

- Flexible settings for Minute, hour, day
- Random On/Off Setting
- 8 ON/OFF Programs for timer
- Two Independent Outlets 15 AMP / 1725 Watt
- 7- Day Programmable
- Use One 3-Prong & Offer Two 3-Prong
- 12 Month Warranty
- Ensures Maximum Safety
- Random Function For Security





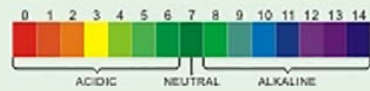
## THERMO-HYGROMETER MIN/MAX TA298



Displays indoor T°	0°C ~ 50°C(32°F ~ 122°F)
Displays outdoor T°	-40°C ~ 70°C(-40°F ~ 158°F)
Resolution	0.1°C(0.1°F)/1%
Accuracy	±1°C(2°F)/±5%
Humidity	10% ~ 99%
Time	12/24



Backlit display resolution=0.01



## TESTEUR DE PH-PH TESTER

Range	0.00~14pH
Resolution	0.01 pH
Accuracy	±0.1 pH
Environment	0°C~50°C
Dimensions	151X33X20mm
Weight	53g

**Calibrate pH tester whenever:**

- 01 It was not used for a long time.
- 02 It was used under harsh conditions.
- 03 To obtain very accurate reading.

## Plant yoyo



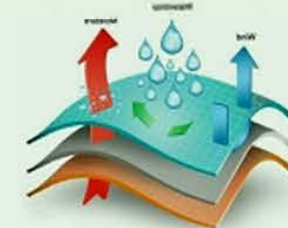
**SMART TOOL FOR YOUR PLANT:** This plant roller comes with built-in plastic stopper to secure the string at the desired length. Professional planting tool for grower.

**FULLY RETRACTABLE STRING:** The yoyo comes with a 140cm fishing line. There is no any effect on light absorption for plant as its' transparent string.



### Water Retention Breathable

Provide better drainage and air flow, Prevents roots from circling, Promote plant growth



## Grow bag

Shape	Model	Diameter (Inches)	Height (Inches)	Capacity (Gallons)
Round	1 Gallon Grow Bags	6.9	6.3	0.9
	3 Gallon Grow Bags	11.8	8.3	3.9
	5 Gallon Grow Bags	14	10.2	7.3
	7 Gallon Grow Bags	14	12	8.6
	10 Gallon Grow Bags	18	12.2	13.9



## Pruner



## PLANT DRY NET



**Details Make Perfection**  
reative Designs Make Drying Easy and Safe

